

TUVUÜÖÖWSVUÜKNMRV-150-112B5

WIDOK 3D



PRODUCT DESCRIPTION:

Worm geared motor fitted for motor coupling version PAM with sleeve

PRODUCT TYPE: NMRV

CONFIGURATION & DIMENSIONAL VALUES

GR Size	150
PAM Input PAM flange	100/112 B5
ACU Output hole shaft (d)	50
VB Double input shaft	NO
TFU Output flange gear unit 2	NO
DFU Output flange dimension (d)	-
PFU Output flange position	-
AL Output hole shaft (d)	NO
PAL Output shaft position	-
BR Torque arm	NO
PBR Torque arm position	-
CAP Cover	NO
TIP Motor type	T-Three phase
GRA Motor size	112
RAF Cooling	IC411-Self-Ventilated
FC Motor execution	B5
TF Break type	-
AF Brake power supply	-
COP Terminal box cover	Aluminium
CVE Fan cover	Default
MOR Terminal box cover position	1
A	240
AC	210.5
B	80
B1	10
BB	14
BM	8
BM1	8
D	50
D1	35

PRODUCT DESCRIPTION:

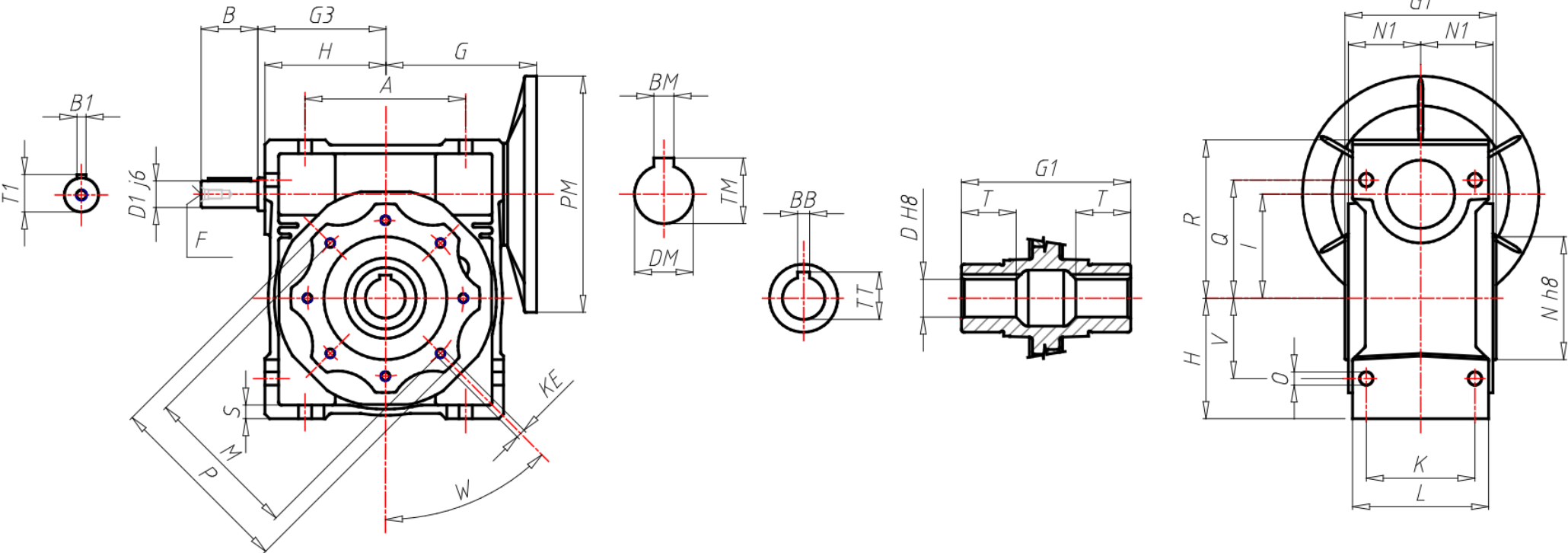
Worm geared motor fitted for motor coupling
version PAM with sleeve

PRODUCT TYPE: NMRV

CONFIGURATION & DIMENSIONAL VALUES

DM	28
DM1	28
E	60
F	M12
FF	M10x22
G	210
G1	200
H	170
I	150
K	145
KE	M12x21(8)
L	185
LB	322.5
LL	382.5
M	215
N	180
N1	96
O	18
P	250
PM	250
PM1	250
Q	180
R	230
S	18
T	72.5
T1	38
TM	31.3
TM1	31
TT	53.8
V	120
W	45°

2D VIEW PRA



PRODUCT DESCRIPTION:

Worm geared motor fitted for motor coupling version PAM with sleeve

PRODUCT TYPE: NMRV

2D VIEW ACCESSORIES

