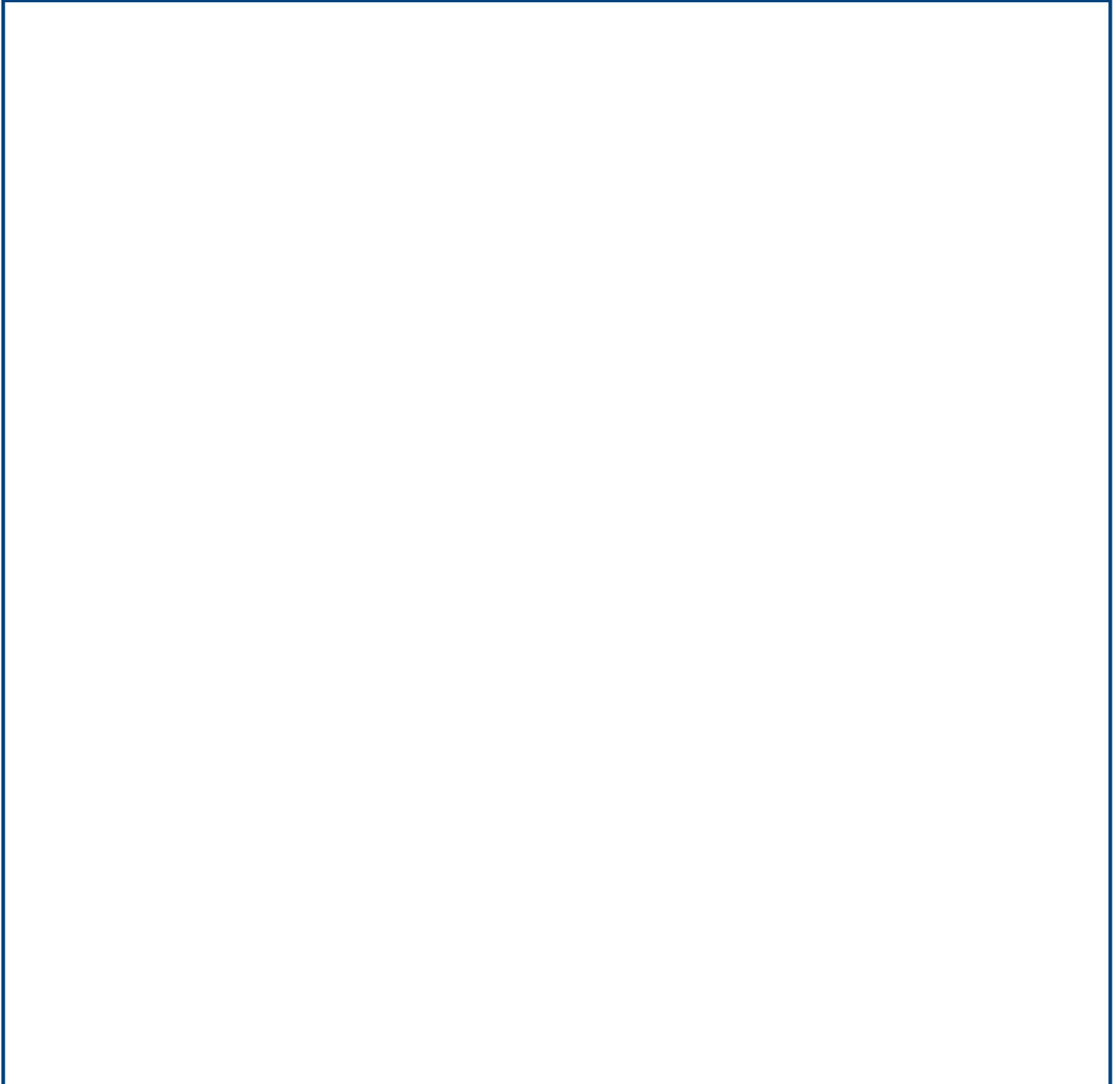


T UVUÜÖÖWSVUÜKNMRV-130-132MLB5

WIDOK 3D



PRODUCT DESCRIPTION:

Worm geared motor fitted for motor coupling
version PAM with sleeve

PRODUCT TYPE: NMRV

CONFIGURATION & DIMENSIONAL VALUES

GR Size	130
PAM Input PAM flange	132 B5
ACU Output hole shaft (d)	45
VB Double input shaft	NO
TFU Output flange gear unit 2	NO
DFU Output flange dimension (d)	-
PFU Output flange position	-
AL Output hole shaft (d)	NO
PAL Output shaft position	-
BR Torque arm	NO
PBR Torque arm position	-
CAP Cover	NO
TIP Motor type	T-Three phase
GRA Motor size	132ML
RAF Cooling	IC411-Self-Ventilated
FC Motor execution	B5
TF Break type	-
AF Brake power supply	-
COP Terminal box cover	Aluminium
CVE Fan cover	Standard
MOR Terminal box cover position	1
A	200
AC	248.4
B	80
B1	8
BB	14
BM	10
BM1	10
D	45
D1	30

PRODUCT DESCRIPTION:

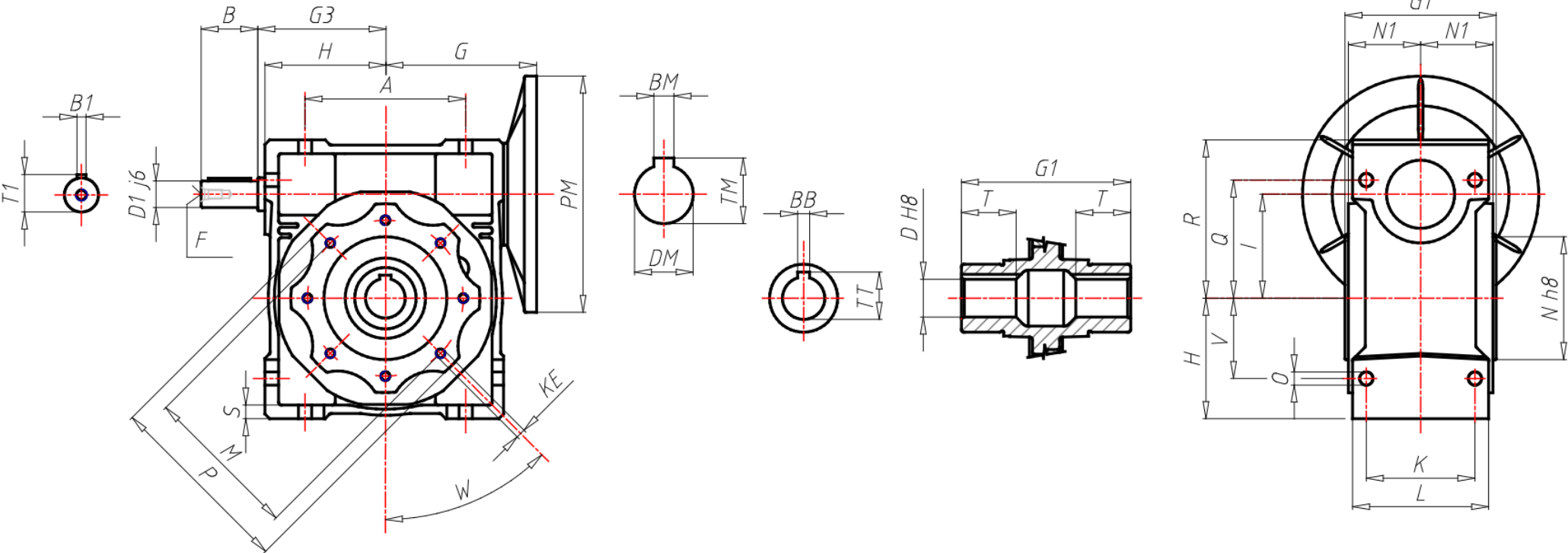
Worm geared motor fitted for motor coupling
version PAM with sleeve

PRODUCT TYPE: NMRV

CONFIGURATION & DIMENSIONAL VALUES

DM	38
DM1	38
E	80
F	M10
FF	M12x28
G	180
G1	170
H	147.5
I	130
K	120
KE	M12x21(8)
L	155
LB	410
LL	490
M	215
N	180
N1	81
O	16
P	250
PM	300
PM1	300
Q	140
R	187.5
S	15.5
T	60
T1	33
TM	41.3
TM1	41
TT	48.8
V	100
W	45°

2D VIEW PRA



PRODUCT DESCRIPTION:

Worm geared motor fitted for motor coupling version PAM with sleeve

PRODUCT TYPE: NMRV

2D VIEW ACCESSORIES

