

PRODUCT DESCRIPTION:

Worm geared motor fitted for motor coupling
version PAM with sleeve

PRODUCT TYPE: NMRV

CONFIGURATION & DIMENSIONAL VALUES

GR Size	110
RAP Ratio	G LÁHÁ ÉÁ ÉÂ ÉÄ ÉÅÉÆ
PAM Input PAM flange	90 B5
ACU Output hole shaft (d)	42
VB Double input shaft	NO
TFU Output flange gear unit 2	NO
DFU Output flange dimension (d)	-
PFU Output flange position	-
AL Output hole shaft (d)	NO
PAL Output shaft position	-
BR Torque arm	NO
PBR Torque arm position	-
CAP Cover	NO
TIP Motor type	NO
GRA Motor size	-
RAF Cooling	-
FC Motor execution	-
TF Break type	-
AF Brake power supply	-
COP Terminal box cover	-
CVE Fan cover	-
MOR Terminal box cover position	-
A	170
AC	-
B	60
B1	8
BB	12
BM	8
BM1	-
D	42
D1	28

PRODUCT DESCRIPTION:

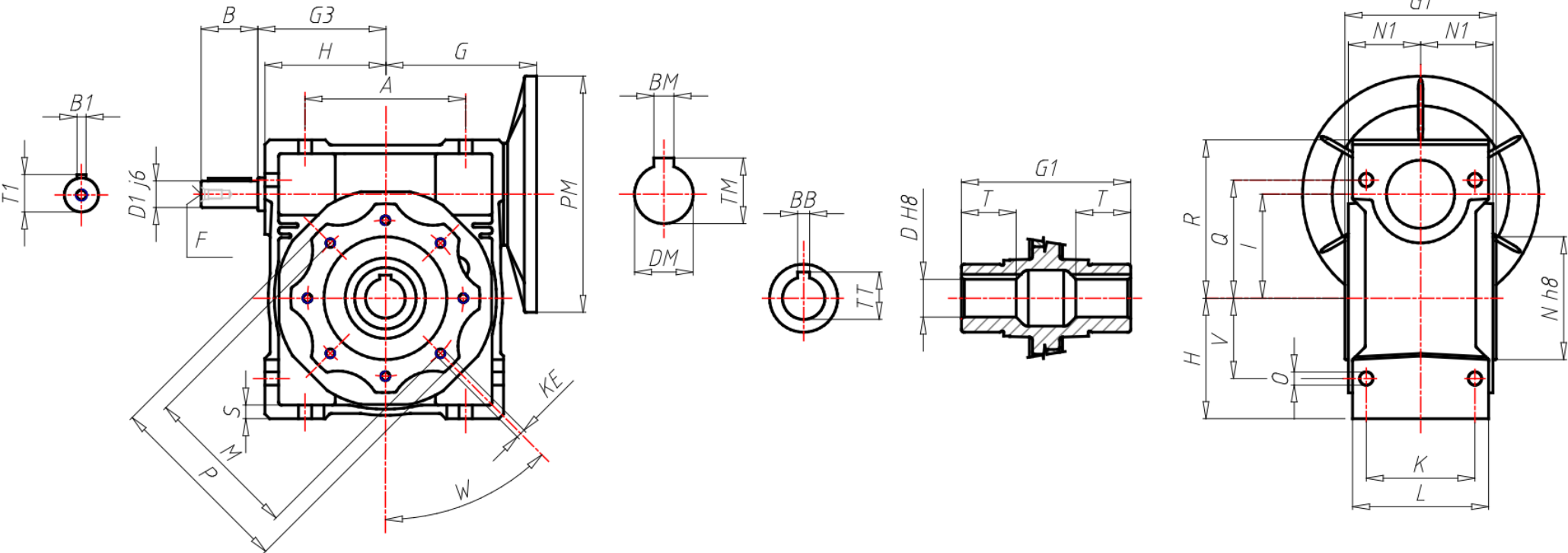
Worm geared motor fitted for motor coupling
version PAM with sleeve

PRODUCT TYPE: NMRV

CONFIGURATION & DIMENSIONAL VALUES

DM	24
DM1	-
E	-
F	M10
FF	-
G	160
G1	155
H	127.5
I	110
K	115
KE	M10x18(8)
L	144
LB	-
LL	-
M	165
N	130
N1	74
O	14
P	200
PM	200
PM1	-
Q	125
R	167.5
S	14.5
T	50
T1	31
TM	27.3
TM1	-
TT	45.3
V	85
W	45°

2D VIEW PRA



PRODUCT DESCRIPTION:

Worm geared motor fitted for motor coupling version PAM with sleeve

PRODUCT TYPE: NMRV

2D VIEW ACCESSORIES

