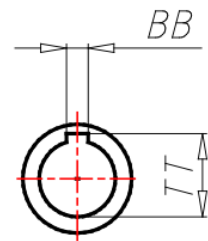
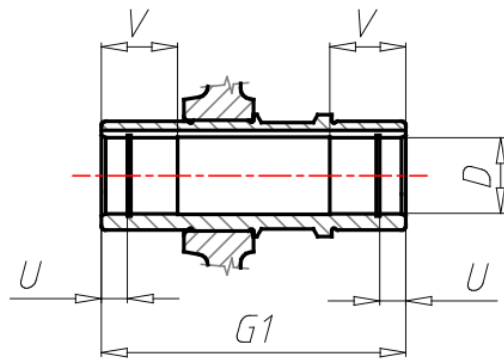
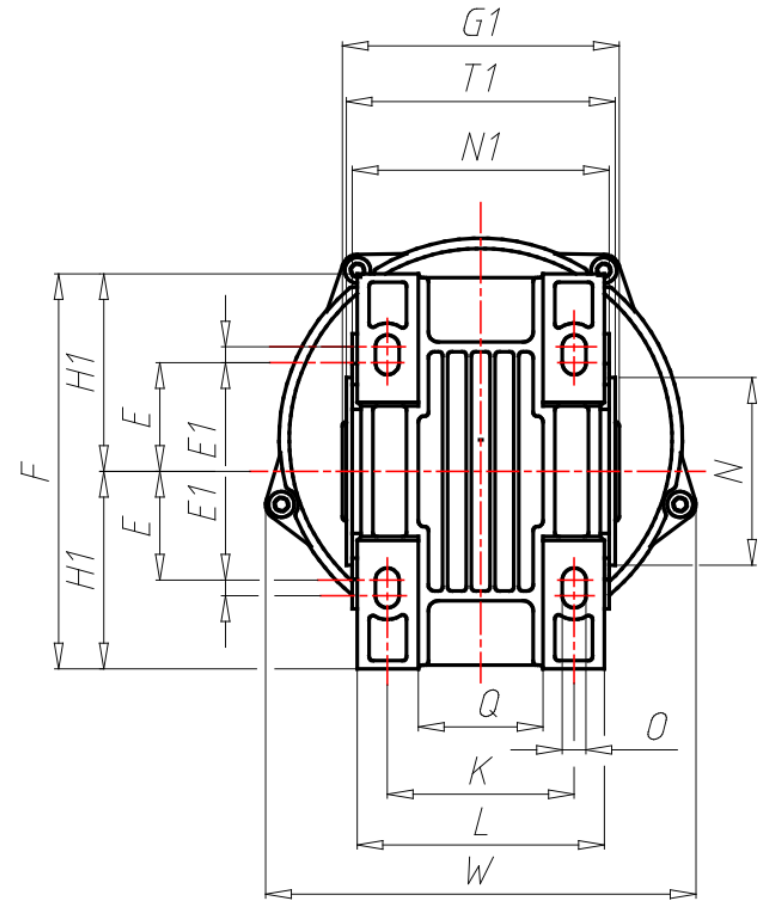
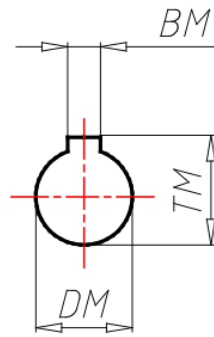
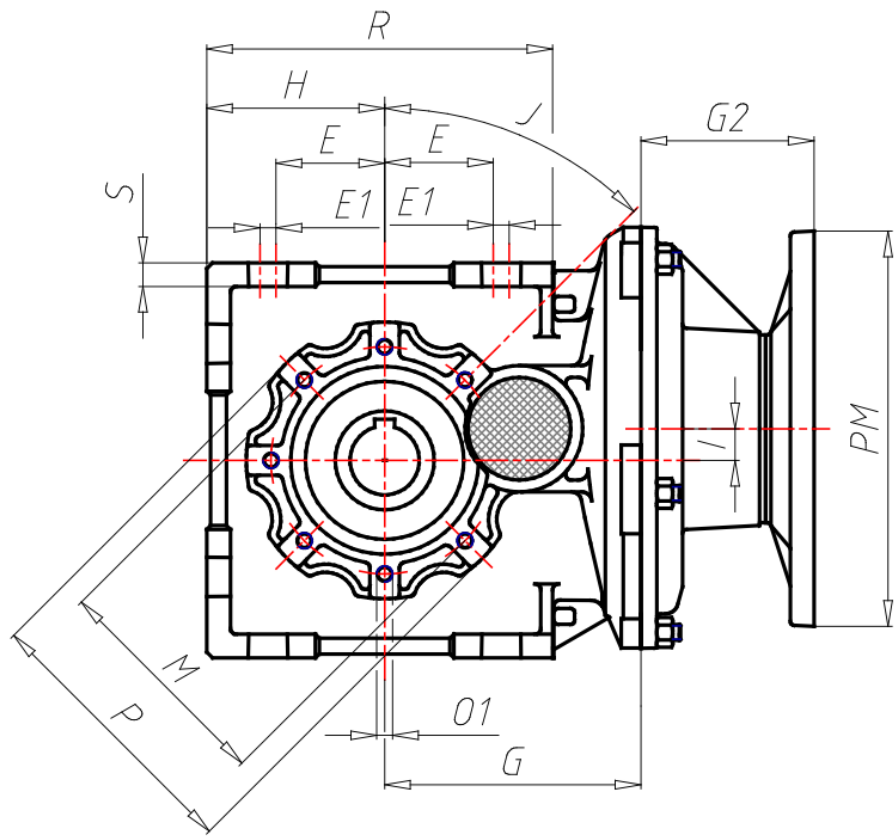


ÖÖË ÒÁÒÔÏ ÒÏÏ ÒÁÏ ÏÏÏ

GR Size	A72
VERS Gear box version	U-Universal
VERSALBE Output shaft version	C-Hollow
RAP Ratio	
PAM Input PAM flange	80 B5
ACU1 Output shaft (d*l)	35
TFU Output flange	NO
DFU Output flange dimension (d)	-
PFU Output flange position	-
BR Torque arm	No
PBR Torque arm position	-
AL Low speed shaft accessory (d)	-
PAL Low speed shaft accessory position	-
TIP Motor/Inverter Motor	No
GRA Motor size	-
RAF Cooling	-
FC Motor execution	-
ALI Supply	-
GIRI Speed Range	-
POTE Power Group	-
CTRL Manual Adjustment Control	-
MODU Expansion modules	-
TF Break type	-
AF Brake power supply	-
COP Terminal box cover	-
CVE Fan cover	-
MOR Terminal box cover position	-
BB	10
BM	6
BM1	-
D	35

DM	19
DM1	-
E	55
EE	-
E1	8
F	200
G	129.5
G1	140
G2	87.5
H	90
H1	100
I	116
J	45
K	94.5
L	125
LL	-
M	115
N	95
N1	130
O	12
O1	M8x14
P	136
PM	200
PM1	-
Q	63
R	175
S	12
T1	136
TM	21.8
TT	38.3
U	12

V	35	
W	218	
TM1	-	
FF1	-	
X	-	
Y	-	



ΑΕΣΟΪΟΥΪΟΕ

