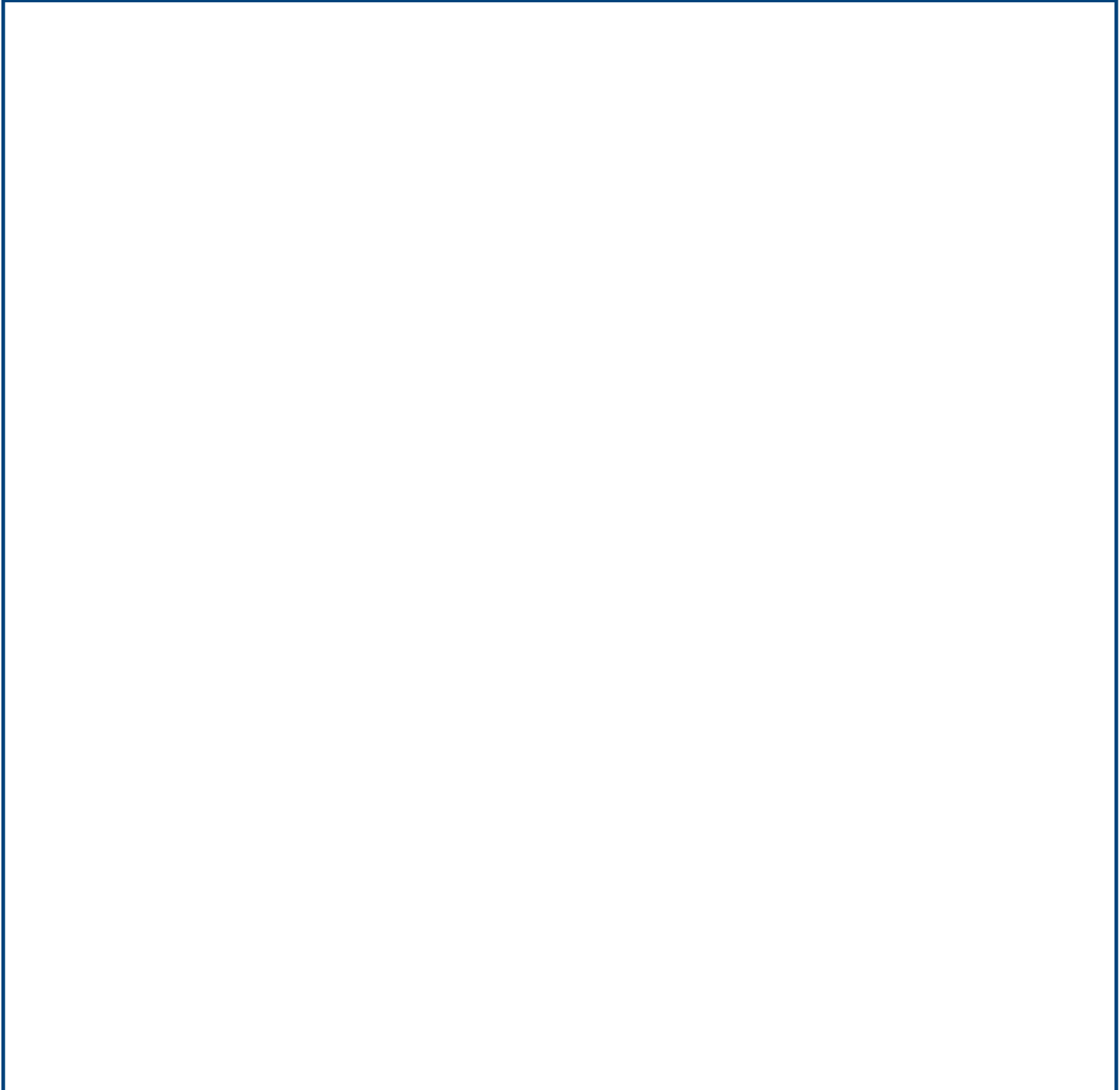


È [d çæã È~
è | ÈÈ | ÀÈ | DÌ | HÈ | FÈ | ÁÁ
^È æã { O { [d çæã È~

ÚÜZÒSÝÖÞØK ÓÓÉ GËÛÌ FÓÍ

Y ØUSÁÖ

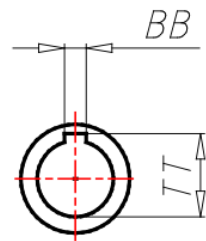
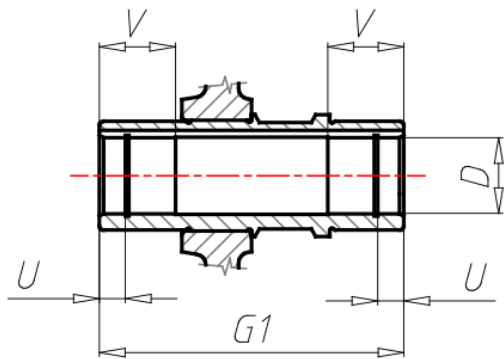
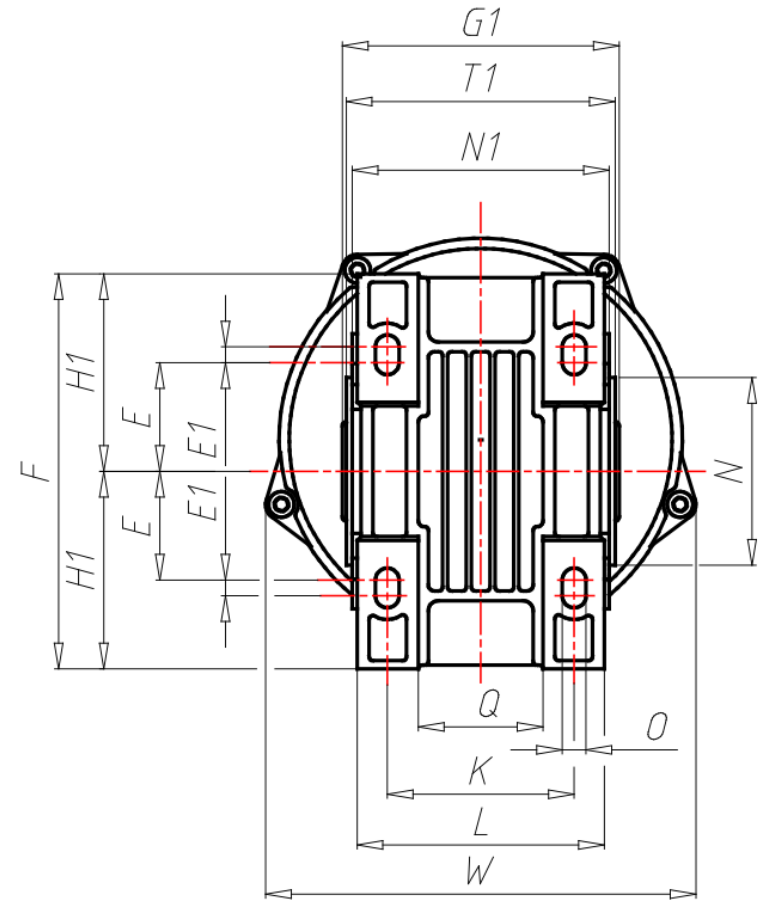
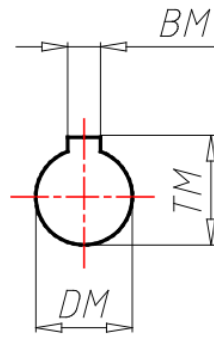
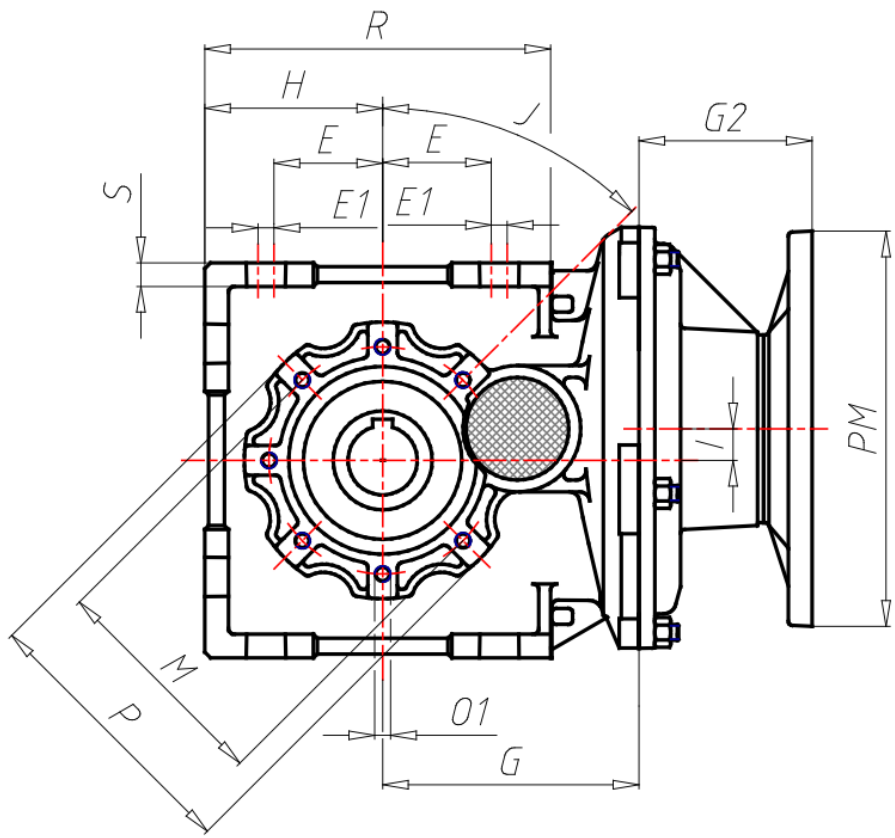


ÖÖË ÒÁÒÔÏ ÒÛÏ ÒÁÏ ÿÏ Öÿ

GR Size	A52
VERS Gear box version	U-Universal
VERSALBE Output shaft version	C-Hollow
RAP Ratio	
PAM Input PAM flange	71 B5
ACU1 Output shaft (d*l)	25
TFU Output flange	NO
DFU Output flange dimension (d)	-
PFU Output flange position	-
BR Torque arm	No
PBR Torque arm position	-
AL Low speed shaft accessory (d)	No
PAL Low speed shaft accessory position	-
TIP Motor/Inverter Motor	No
GRA Motor size	-
RAF Cooling	-
FC Motor execution	-
ALI Supply	-
GIRI Speed Range	-
POTE Power Group	-
CTRL Manual Adjustment Control	-
MODU Expansion modules	-
TF Break type	-
AF Brake power supply	-
COP Terminal box cover	-
CVE Fan cover	-
MOR Terminal box cover position	-
BB	8
BM	5
BM1	-
D	25

DM	14
DM1	-
E	55
EE	-
E1	-
F	160
G	98
G1	112
G2	55
H	80
H1	80
I	84.2
J	45
K	80
L	100
LL	-
M	95
N	80
N1	102
O	9
O1	M8x14
P	110
PM	160
PM1	-
Q	51
R	153
S	10
T1	108
TM	16.3
TT	28.3
U	-

V	30
W	152
TM1	-
FF1	-
X	-
Y	-



ΑΕΣΟΪΟΥΪΟΕ

