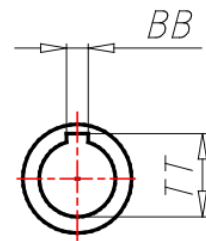
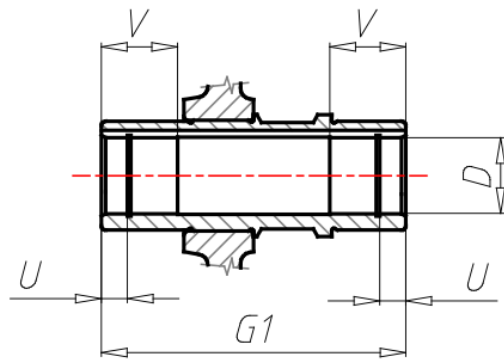
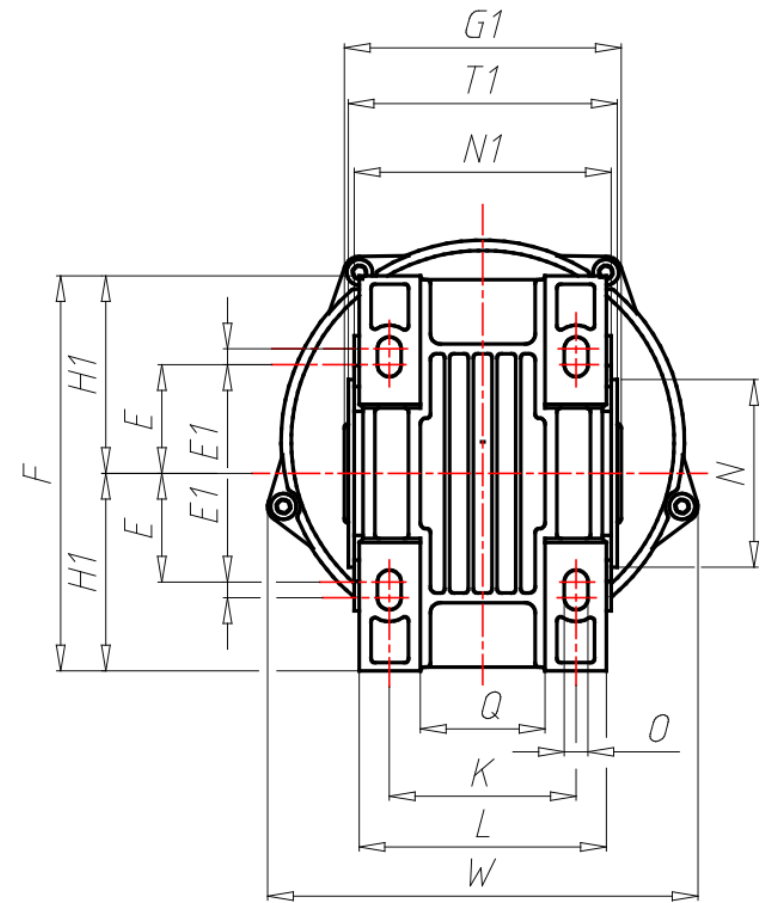
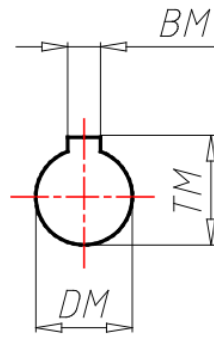
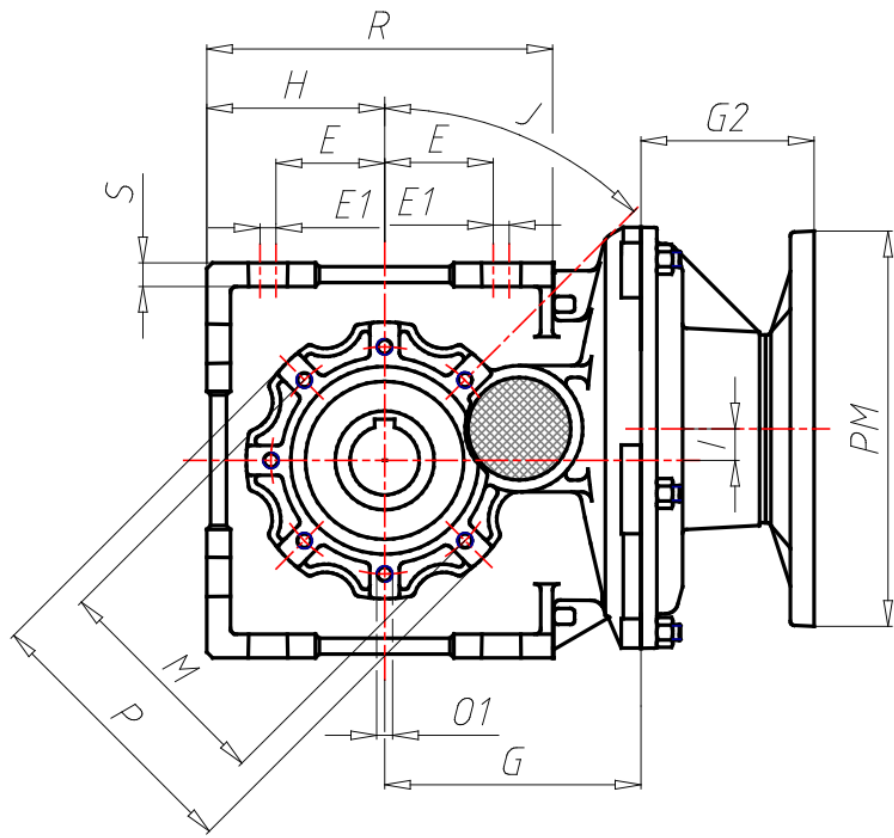


ÖÖË ÒÁÒÔÏ ÒÏÏ ÒÁÏ ÏÏÏ

GR Size	A42
VERS Gear box version	U-Universal
VERSALBE Output shaft version	C-Hollow
RAP Ratio	
PAM Input PAM flange	80 B5
ACU1 Output shaft (d*I)	20
TFU Output flange	NO
DFU Output flange dimension (d)	-
PFU Output flange position	-
BR Torque arm	No
PBR Torque arm position	-
AL Low speed shaft accessory (d)	No
PAL Low speed shaft accessory position	-
TIP Motor/Inverter Motor	No
GRA Motor size	-
RAF Cooling	-
FC Motor execution	-
ALI Supply	-
GIRI Speed Range	-
POTE Power Group	-
CTRL Manual Adjustment Control	-
MODU Expansion modules	-
TF Break type	-
AF Brake power supply	-
COP Terminal box cover	-
CVE Fan cover	-
MOR Terminal box cover position	-
BB	6
BM	6
BM1	-
D	20

DM	19
DM1	-
E	45
EE	-
E1	-
F	130
G	95
G1	100
G2	86
H	65
H1	65
I	57
J	45
K	73.5
L	90
LL	-
M	85
N	70
N1	92
O	9
O1	M8x12
P	100
PM	200
PM1	-
Q	45
R	127.5
S	8
T1	97
TM	21.8
TT	22.8
U	-

V	30	
W	152	
TM1	-	
FF1	-	
X	-	
Y	-	



ΑΕΣΟΪΟΥΪΟΕ

