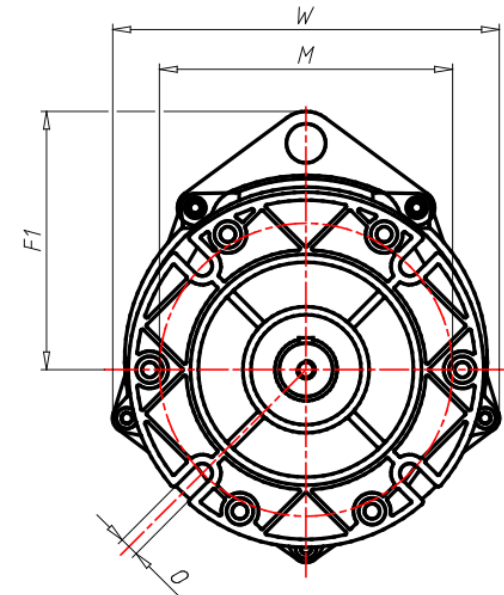
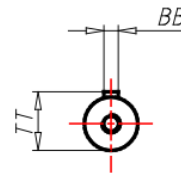
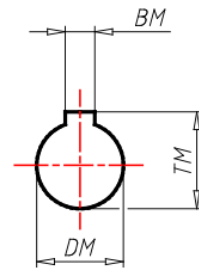
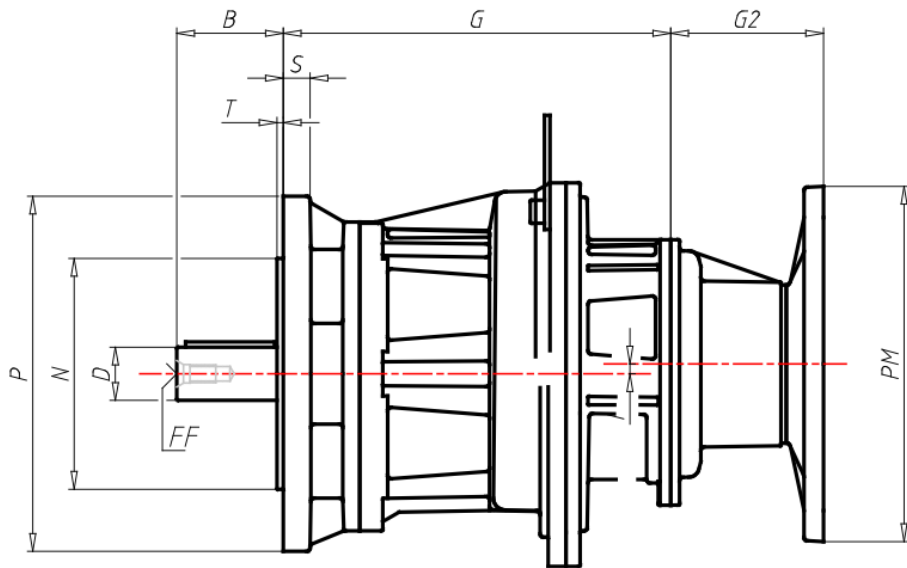
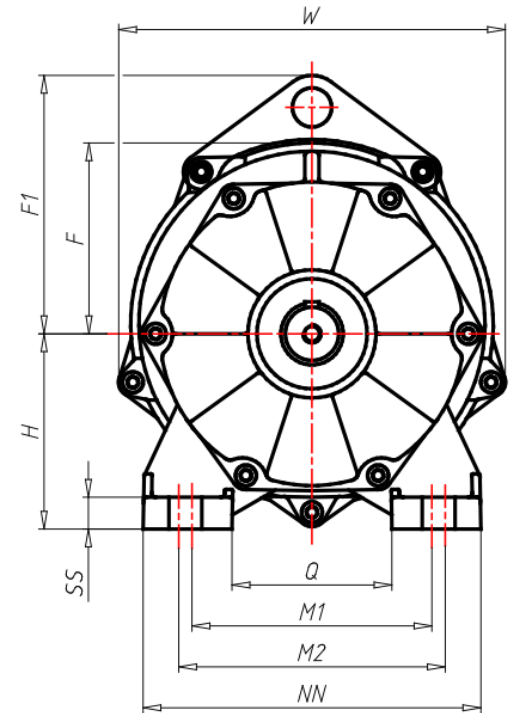
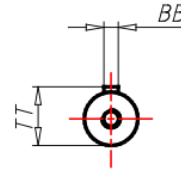
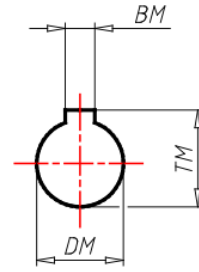
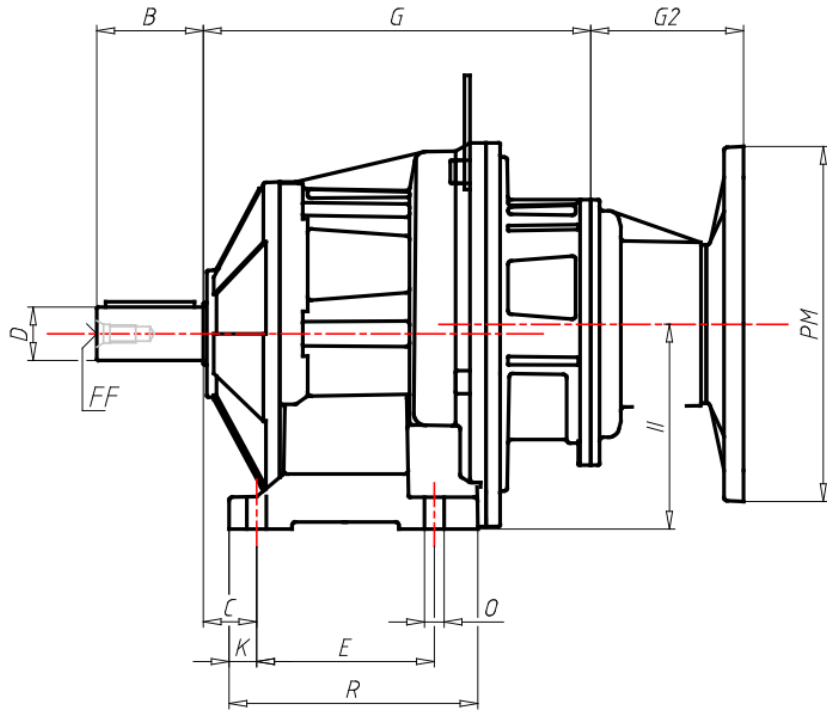




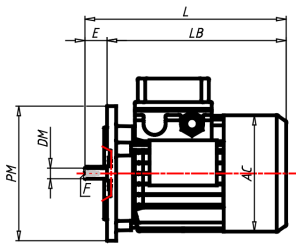
## ÖÖË ÒÁ/ÒÔÏ ÒÛÏ ÒÁÛ ÿT ÖÛÿ

<b>GR Size</b>	<b>A63</b>
<b>VERS Gear box version</b>	<b>T-With Feet</b>
<b>RAP Ratio</b>	
<b>PAM Input PAM flange</b>	<b>71 B5</b>
<b>ACU1 Output shaft (d*I)</b>	<b>40x80</b>
<b>DFU Output flange dimension (d)</b>	-
<b>TIP Motor/Inverter Motor</b>	<b>No</b>
<b>GRA Motor size</b>	-
<b>ALI Supply</b>	-
<b>GIRI Speed Range</b>	-
<b>POTE Power Group</b>	-
<b>CTRL Manual Adjustment Control</b>	-
<b>MODU Expansion modules</b>	-
<b>RAF Cooling</b>	-
<b>FC Motor execution</b>	-
<b>TF Break type</b>	-
<b>AF Brake power supply</b>	-
<b>COP Terminal box cover</b>	-
<b>CVE Fan cover</b>	-
<b>MOR Terminal box cover position</b>	-
<b>B</b>	-
<b>BB</b>	-
<b>BM</b>	<b>5</b>
<b>BM1</b>	-
<b>C</b>	<b>35</b>
<b>D Output shaft (d*I)</b>	<b>40</b>
<b>DM</b>	<b>14</b>
<b>DM1</b>	-
<b>E</b>	<b>110</b>
<b>EE</b>	-
<b>F</b>	-

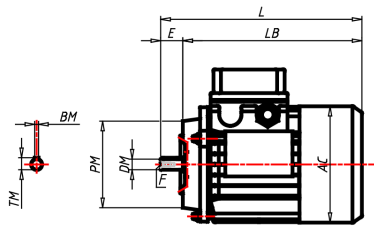
<b>F1</b>	<b>155.5</b>
<b>FF</b>	-
<b>FF1</b>	-
<b>G</b>	<b>227</b>
<b>G2</b>	<b>55</b>
<b>H</b>	<b>120</b>
<b>H1</b>	-
<b>I</b>	-
<b>II</b>	<b>135.5</b>
<b>K</b>	<b>20</b>
<b>L</b>	-
<b>M</b>	-
<b>M1</b>	<b>170</b>
<b>M2</b>	<b>185</b>
<b>N</b>	-
<b>NN</b>	<b>200</b>
<b>O</b>	<b>14</b>
<b>P</b>	-
<b>PM</b>	<b>160</b>
<b>PM1</b>	-
<b>Q</b>	<b>120</b>
<b>R</b>	<b>150</b>
<b>S</b>	<b>15</b>
<b>SS</b>	<b>20</b>
<b>T</b>	-
<b>TM</b>	<b>16.3</b>
<b>TM1</b>	-
<b>TT</b>	-
<b>V</b>	-
<b>W</b>	<b>218</b>
<b>X</b>	-
<b>Y</b>	-



ΑΙΣΘΗΤΗΡΙΑ



B5



B14

