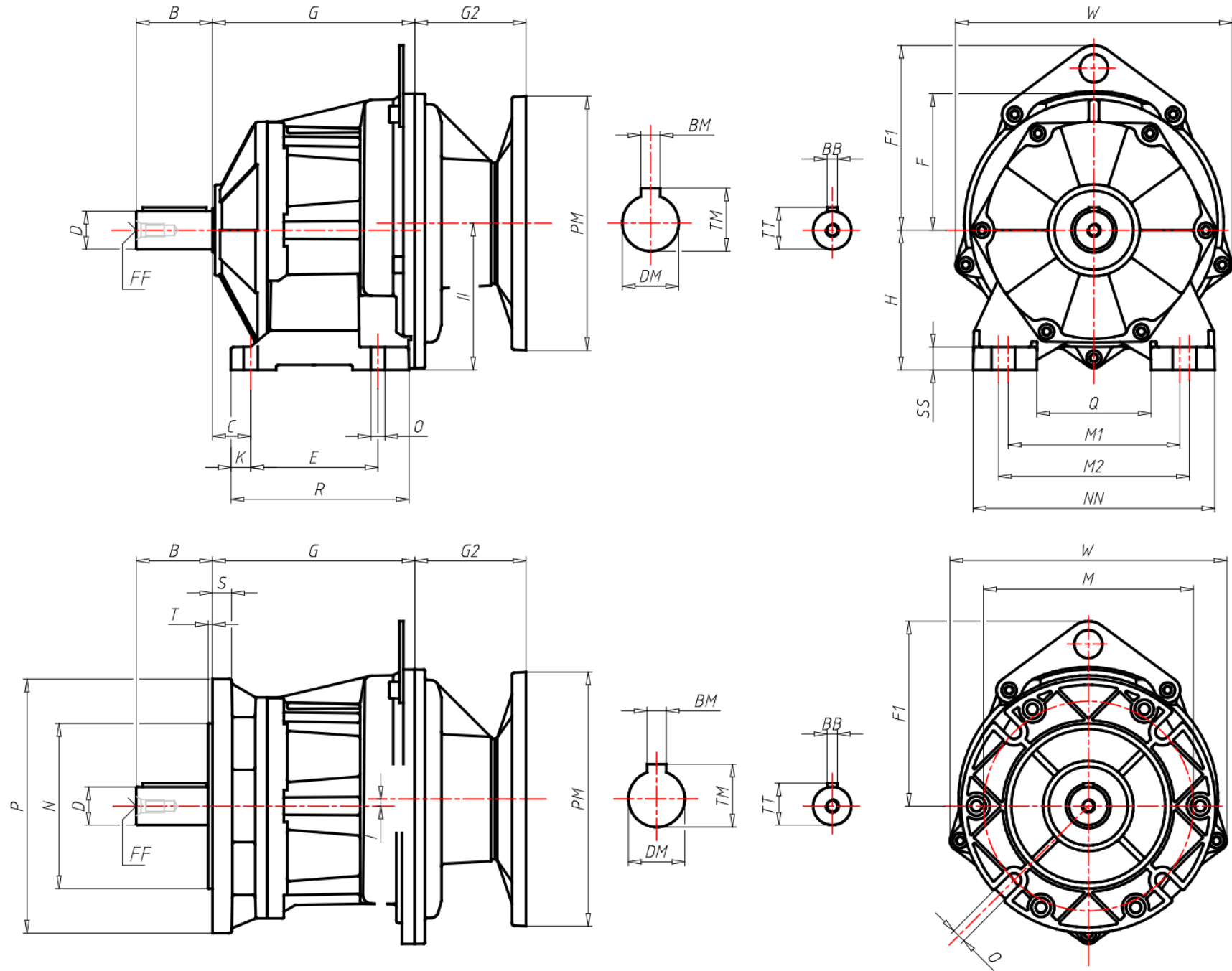


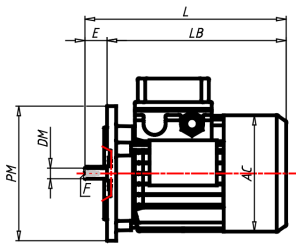
ÖÖË ÒÁÒÔÏ ÒÏÏ ÒÁÏ ÿÏ ÒËÿ

GR Size	A52
VERS Gear box version	T-With Feet
RAP Ratio	
PAM Input PAM flange	100-112 B5
ACU1 Output shaft (d*I)	30x60
DFU Output flange dimension (d)	-
TIP Motor/Inverter Motor	No
GRA Motor size	-
ALI Supply	-
GIRI Speed Range	-
POTE Power Group	-
CTRL Manual Adjustment Control	-
MODU Expansion modules	-
RAF Cooling	-
FC Motor execution	-
TF Break type	-
AF Brake power supply	-
COP Terminal box cover	-
CVE Fan cover	-
MOR Terminal box cover position	-
B	60
BB	8
BM	8
BM1	-
C	30
D Output shaft (d*I)	30
DM	28
DM1	-
E	100
EE	-
F	107.5

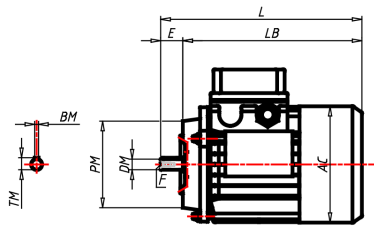
F1	145.5
FF	M10
FF1	-
G	159
G2	87.5
H	110
H1	-
I	-
II	115.5
K	15.5
L	-
M	-
M1	135
M2	150
N	-
NN	190
O	11
P	-
PM	250
PM1	-
Q	90
R	140
S	15
SS	18
T	-
TM	31.3
TM1	-
TT	33
V	-
W	218
X	-
Y	-



ΑΙΣΘΗΤΗΡΕΣ



B5



B14

