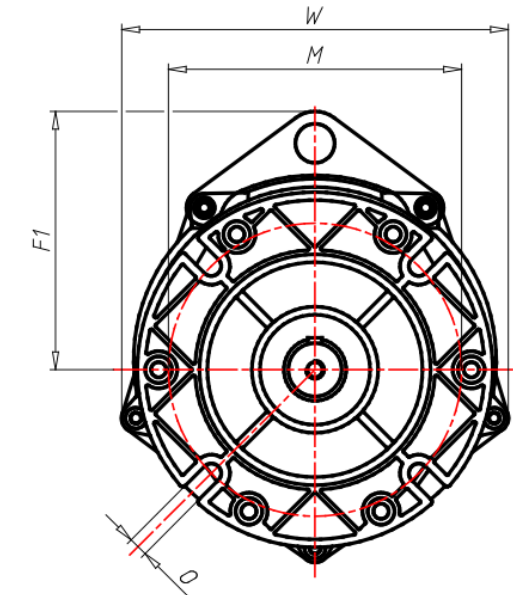
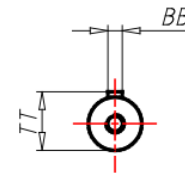
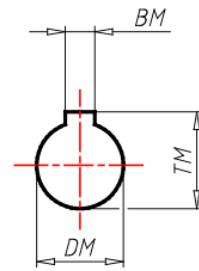
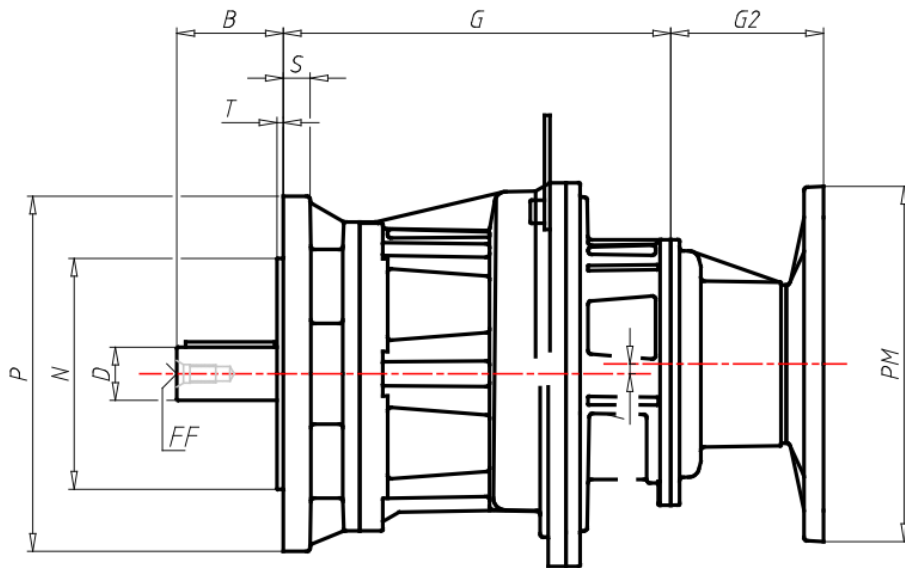
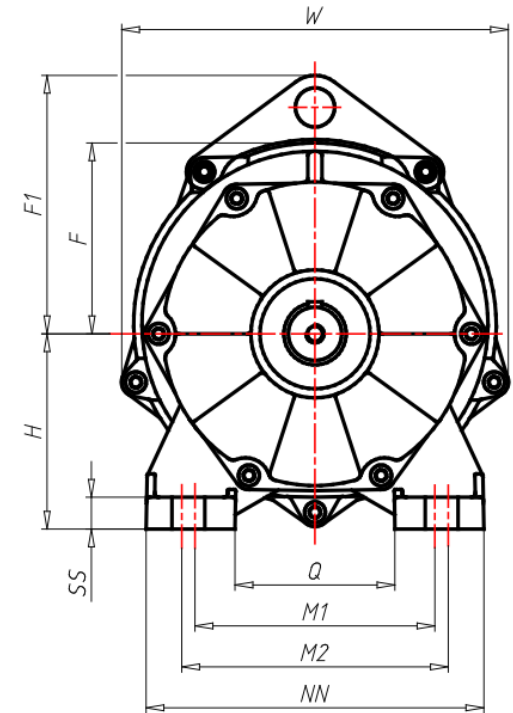
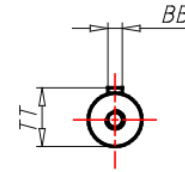
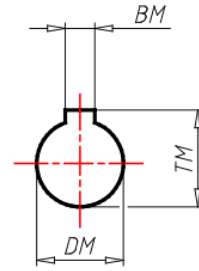
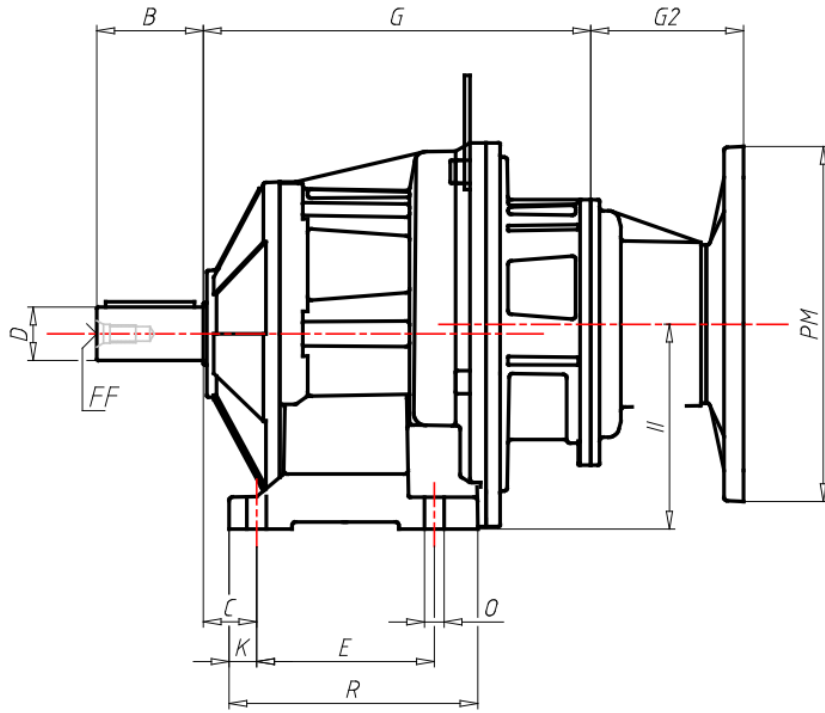


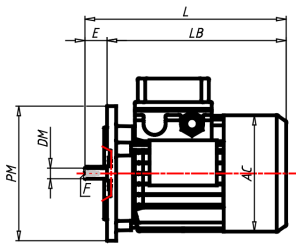
ÖÖË ÒÁ/ÒÔÏ ÒÔÏ ÒÔÏ ÒÔÏ ÒÔÏ ÒÔÏ ÒÔÏ

GR Size	A33
VERS Gear box version	T-With Feet
RAP Ratio	
PAM Input PAM flange	63 B5
ACU1 Output shaft (d*I)	20x40
DFU Output flange dimension (d)	-
TIP Motor/Inverter Motor	No
GRA Motor size	-
ALI Supply	-
GIRI Speed Range	-
POTE Power Group	-
CTRL Manual Adjustment Control	-
MODU Expansion modules	-
RAF Cooling	-
FC Motor execution	-
TF Break type	-
AF Brake power supply	-
COP Terminal box cover	-
CVE Fan cover	-
MOR Terminal box cover position	-
B	40
BB	6
BM	4
BM1	-
C	18
D Output shaft (d*I)	20
DM	11
DM1	-
E	80
EE	-
F	80

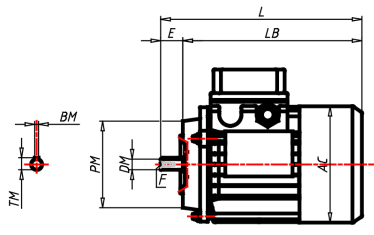
F1	-
FF	M6
FF1	-
G	170.5
G2	55
H	75
H1	-
I	-
II	85
K	13
L	-
M	-
M1	110
M2	120
N	-
NN	145
O	9
P	-
PM	140
PM1	-
Q	75
R	111
S	10
SS	15
T	-
TM	12.8
TM1	-
TT	22.5
V	-
W	152
X	-
Y	-



ΑΙΣΘΗΤΗΡΕΣ



B5



B14

