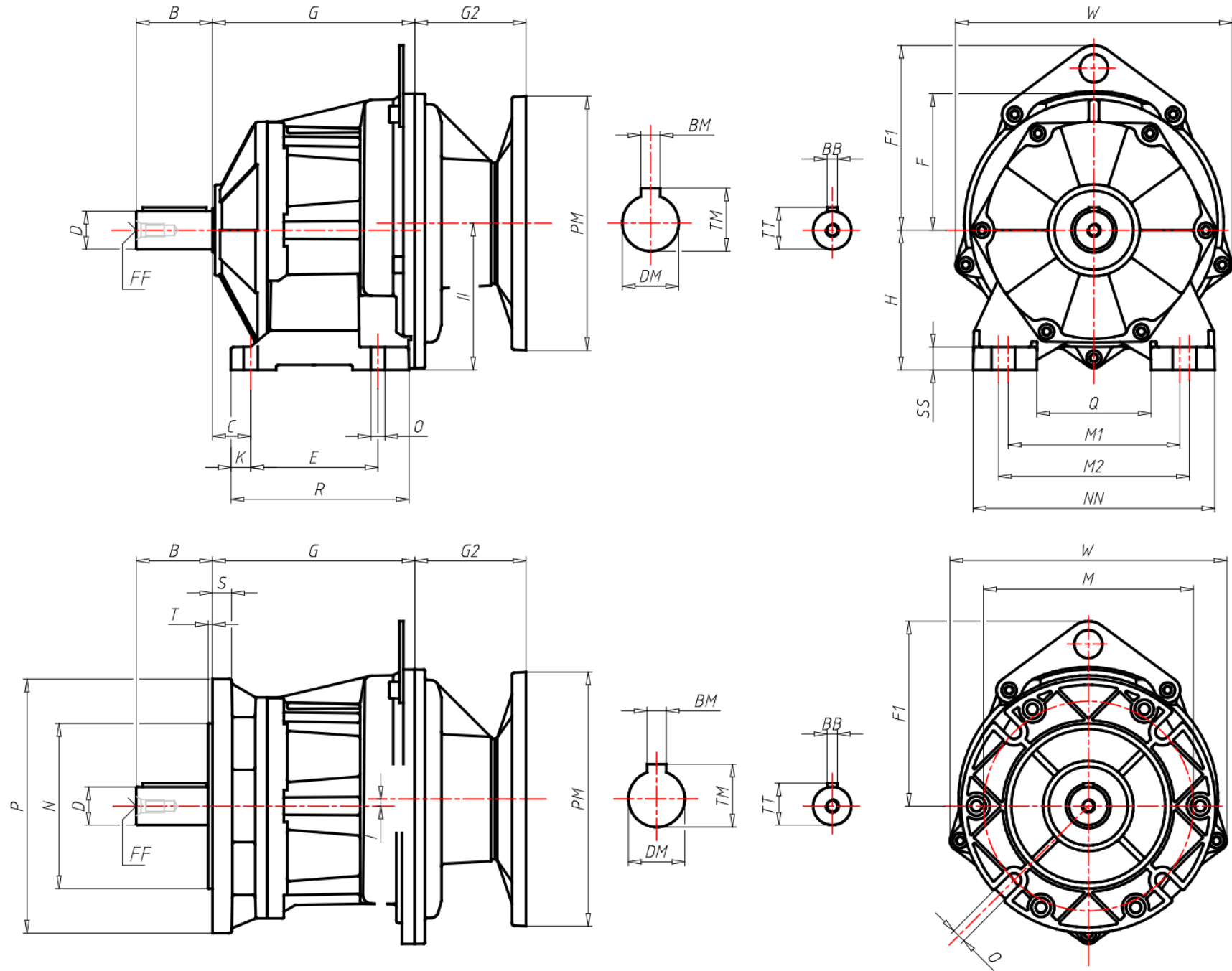




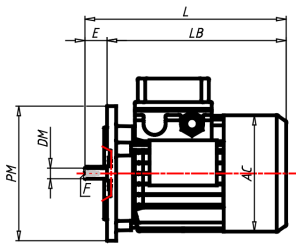
## ÖÖË ÒÁ/ÒÔÏ ÒÔÏ ÒÔÏ ÒÔÏ ÒÔÏ ÒÔÏ ÒÔÏ ÒÔÏ ÒÔÏ ÒÔÏ

<b>GR Size</b>	A32
<b>VERS Gear box version</b>	T-With Feet
<b>RAP Ratio</b>	
<b>PAM Input PAM flange</b>	80 B5
<b>ACU1 Output shaft (d*I)</b>	20x40
<b>DFU Output flange dimension (d)</b>	-
<b>TIP Motor/Inverter Motor</b>	No
<b>GRA Motor size</b>	-
<b>ALI Supply</b>	-
<b>GIRI Speed Range</b>	-
<b>POTE Power Group</b>	-
<b>CTRL Manual Adjustment Control</b>	-
<b>MODU Expansion modules</b>	-
<b>RAF Cooling</b>	-
<b>FC Motor execution</b>	-
<b>TF Break type</b>	-
<b>AF Brake power supply</b>	-
<b>COP Terminal box cover</b>	-
<b>CVE Fan cover</b>	-
<b>MOR Terminal box cover position</b>	-
<b>B</b>	40
<b>BB</b>	6
<b>BM</b>	6
<b>BM1</b>	-
<b>C</b>	18
<b>D Output shaft (d*I)</b>	20
<b>DM</b>	19
<b>DM1</b>	-
<b>E</b>	80
<b>EE</b>	-
<b>F</b>	80

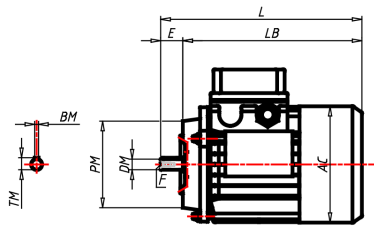
F1	-
FF	M6
FF1	-
G	117.5
G2	86
H	75
H1	-
I	-
II	85
K	13
L	-
M	-
M1	110
M2	120
N	-
NN	145
O	9
P	-
PM	200
PM1	-
Q	75
R	111
S	10
SS	15
T	-
TM	21.8
TM1	-
TT	22.5
V	-
W	152
X	-
Y	-



ΑΙΣΘΗΤΗΡΕΣ



B5



B14

