

ÚZÈSÝÖPÖK NMRV-090-100-112B14

WIDOK 3D



PRODUCT DESCRIPTION:

Worm geared motor fitted for motor coupling
version PAM with sleeve

PRODUCT TYPE: NMRV

CONFIGURATION & DIMENSIONAL VALUES

GR Size	090
RAP Ratio	1:1
PAM Input PAM flange	100/112 B14
ACU Output hole shaft (d)	35
VB Double input shaft	NO
TFU Output flange gear unit 2	NO
DFU Output flange dimension (d)	-
PFU Output flange position	-
AL Output hole shaft (d)	NO
PAL Output shaft position	-
BR Torque arm	NO
PBR Torque arm position	-
CAP Cover	NO
TIP Motor type	NO
GRA Motor size	-
RAF Cooling	-
FC Motor execution	-
TF Break type	-
AF Brake power supply	-
COP Terminal box cover	-
CVE Fan cover	-
MOR Terminal box cover position	-
A	140
AC	-
B	50
B1	8
BB	10
BM	8
BM1	-
D	35(38)
D1	24

PRODUCT DESCRIPTION:

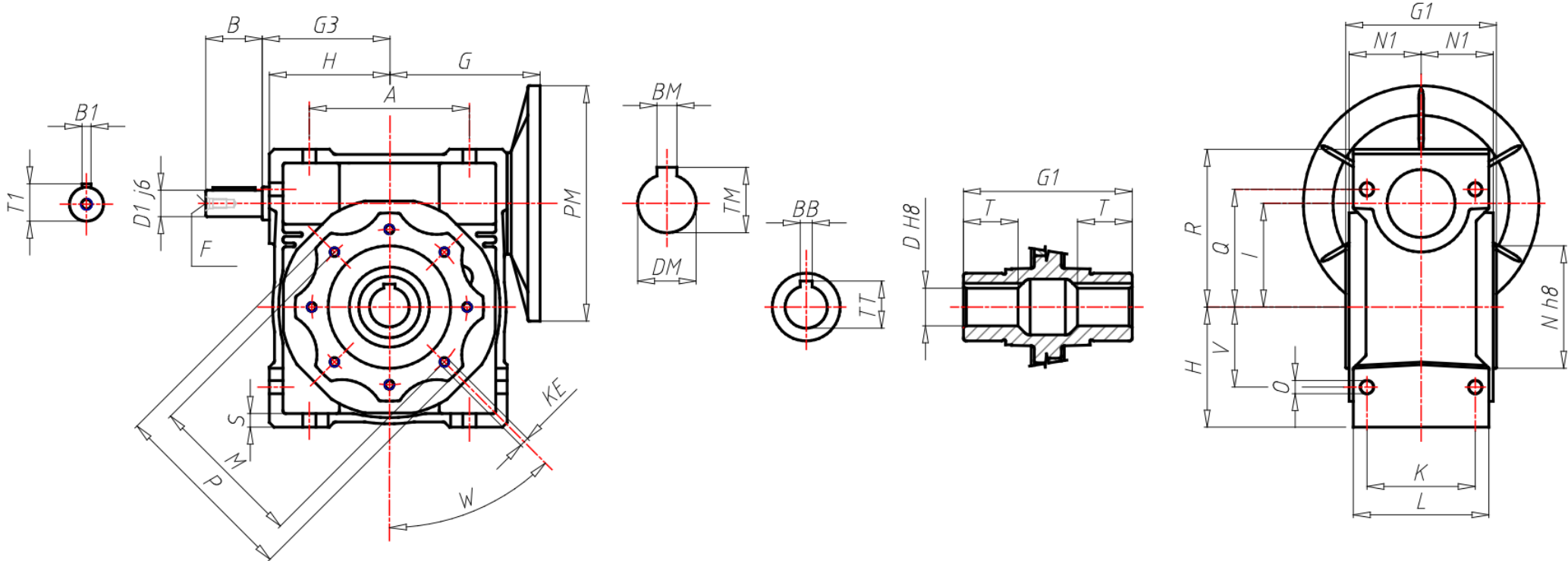
Worm geared motor fitted for motor coupling
version PAM with sleeve

PRODUCT TYPE: NMRV

CONFIGURATION & DIMENSIONAL VALUES

DM	28
DM1	-
E	-
F	M8
FF	-
G	129.5
G1	140
H	103
I	90
K	100
KE	M10x18(8)
L	130
LB	-
LL	-
M	130
N	110
N1	67
O	13
P	160
PM	160
PM1	-
Q	102
R	135
S	11
T	45
T1	27
TM	31.3
TM1	-
TT	38.3(41.3)
V	70
W	45°

2D VIEW PRA



PRODUCT DESCRIPTION:

Worm geared motor fitted for motor coupling version PAM with sleeve

PRODUCT TYPE: NMRV

2D VIEW ACCESSORIES

