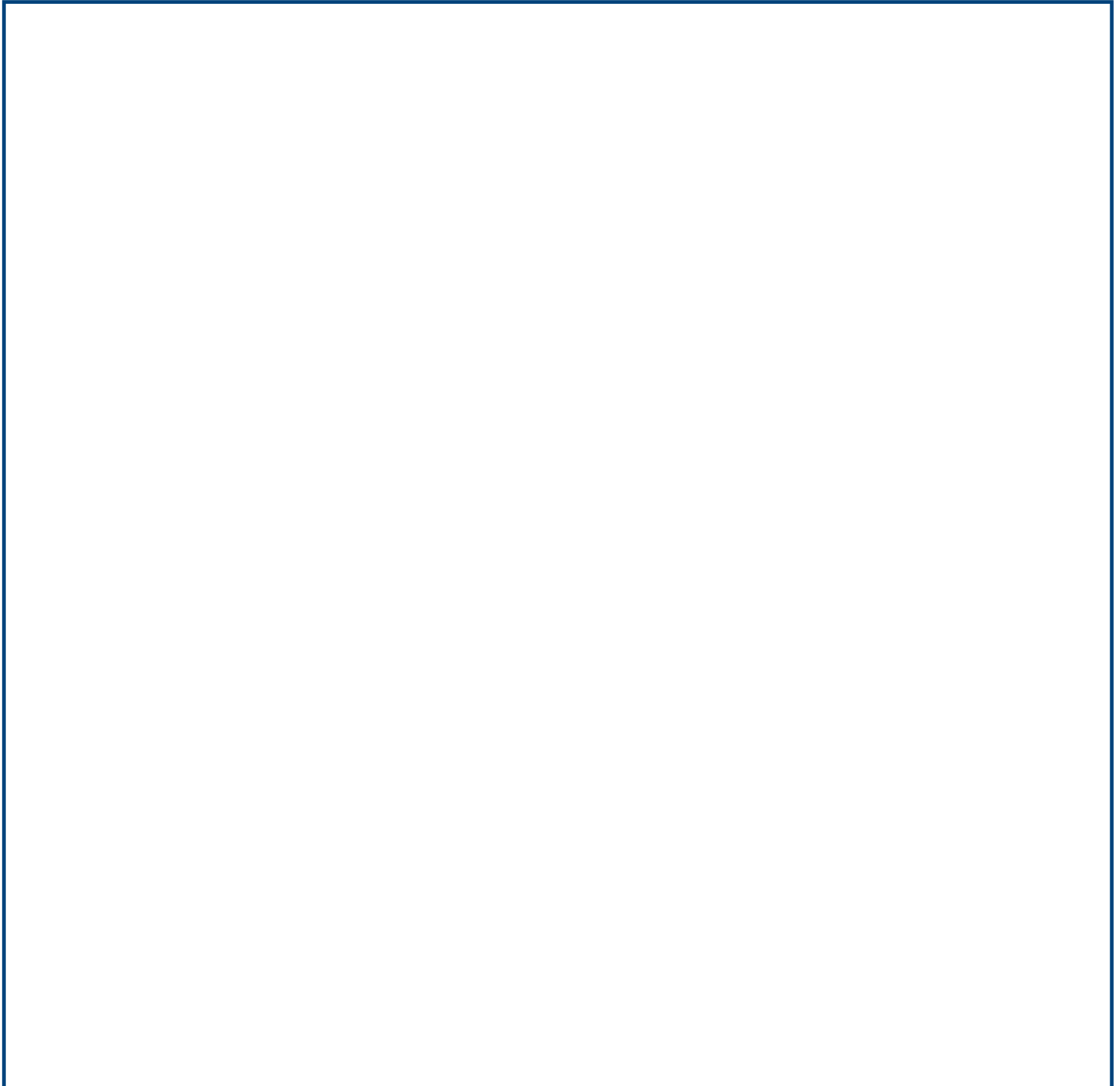


ÚÜZÒSýÖÞÖK NMRV-090-100-112B5

WIDOK 3D



PRODUCT DESCRIPTION:

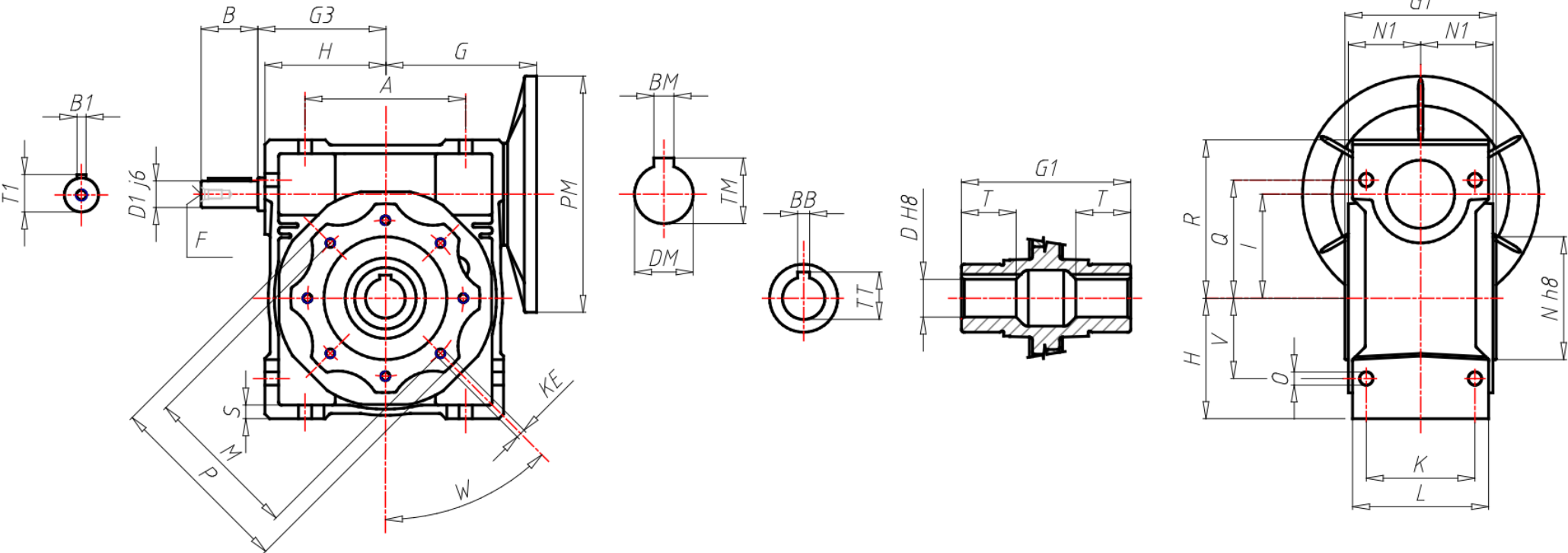
Worm geared motor fitted for motor coupling
version PAM with sleeve

PRODUCT TYPE: NMRV

CONFIGURATION & DIMENSIONAL VALUES

| | |
|-----|------------|
| DM | 28 |
| DM1 | - |
| E | - |
| F | M8 |
| FF | - |
| G | 129.5 |
| G1 | 140 |
| H | 103 |
| I | 90 |
| K | 100 |
| KE | M10x18(8) |
| L | 130 |
| LB | - |
| LL | - |
| M | 130 |
| N | 110 |
| N1 | 67 |
| O | 13 |
| P | 160 |
| PM | 250 |
| PM1 | - |
| Q | 102 |
| R | 135 |
| S | 11 |
| T | 45 |
| T1 | 27 |
| TM | 31.3 |
| TM1 | - |
| TT | 38.3(41.3) |
| V | 70 |
| W | 45° |

2D VIEW PRA



PRODUCT DESCRIPTION:

Worm geared motor fitted for motor coupling version PAM with sleeve

PRODUCT TYPE: NMRV

2D VIEW ACCESSORIES

