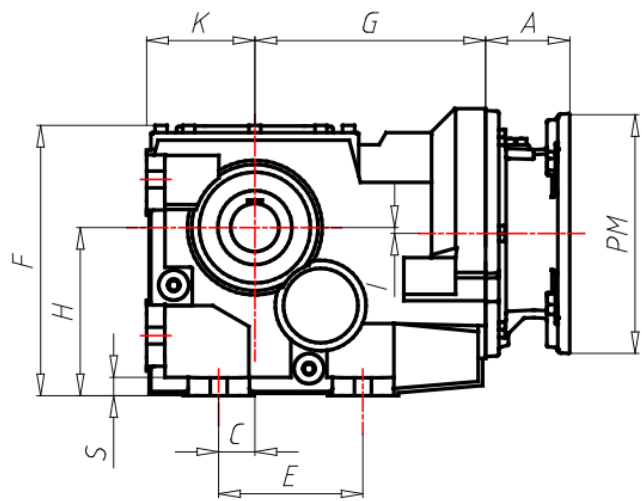


ÖÖË ÒÁÒÔÏ ÒÛÏ ÒÁÏ ÿÏ ÖÛÿ

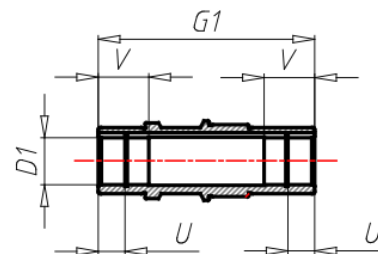
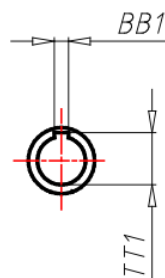
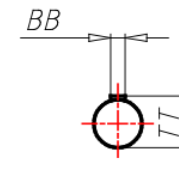
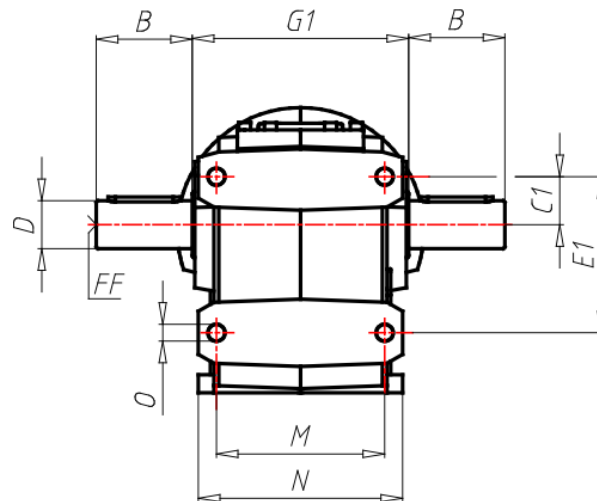
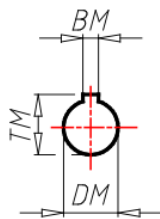
| | |
|---|-------------|
| GR Size | 153 |
| VERS Gear box version | U-Universal |
| VERSALBE Output shaft version | C-Hollow |
| RAP Ratio | |
| PAM Input PAM flange | 160 B5 |
| ACU1 Output shaft (d*l) | 90 |
| TFU Output flange | NO |
| DFU Output flange dimension (d) | - |
| PFU Output flange position | - |
| AL Low speed shaft accessory (d) | No |
| PAL Low speed shaft accessory position | - |
| BR Torque arm | No |
| PBR Torque arm position | - |
| CP Protection cover position | NO |
| TIP Motor/Inverter Motor | No |
| GRA Motor size | - |
| RAF Cooling | - |
| FC Motor execution | - |
| ALI Supply | - |
| GIRI Speed Range | - |
| POTE Power Group | - |
| CTRL Manual Adjustment Control | - |
| MODU Expansion modules | - |
| TF Break type | - |
| AF Brake power supply | - |
| RF Brake rectifier | - |
| ACC Accessories | - |
| COP Terminal box cover | - |
| SER Forced ventilation | - |
| CVE Fan cover | - |
| MOR Terminal box cover position | - |

| | |
|------------|------------|
| A | 124 |
| B | - |
| BB | - |
| BB1 | 25 |
| BM | 12 |
| BM1 | - |
| C | - |
| C1 | 110 |
| D | - |
| D1 | 90 |
| DM | 42 |
| DM1 | - |
| E | - |
| EE | - |
| E1 | 330 |
| F | 490 |
| F1 | - |
| FF | - |
| FF1 | - |
| G | 353 |
| G1 | 350 |
| H | 315 |
| H1 | - |
| I | 35 |
| K | 200 |
| K1 | - |
| LL | - |
| M | 270 |
| N | 330 |
| O | 26 |
| PM | 350 |

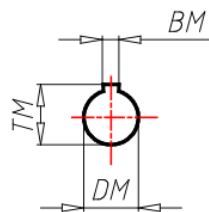
| | |
|------------|-------------|
| PM1 | - |
| S | 26 |
| TT | - |
| TT1 | 95.4 |
| TM | 45.3 |
| TM1 | - |
| U | 34 |
| V | 90 |
| X | - |
| Y | - |



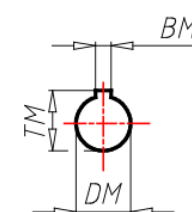
B/PB...F



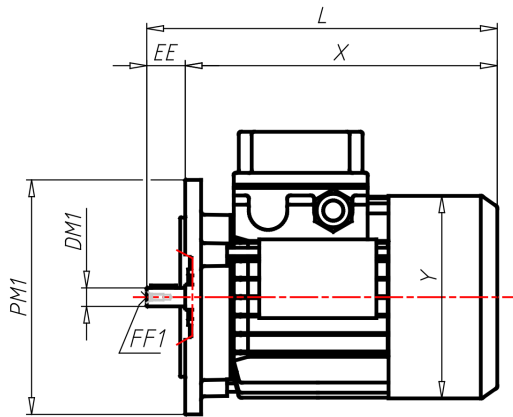
B/PB...S



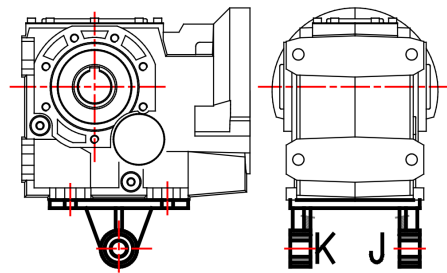
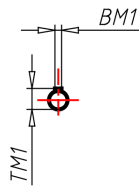
B/PB...U



ΑΕΣΟΪΟΥ ΪΘΕ



B5



143-153-163

