

È [ d çæã È~  
ç|ÈÈI Ì ÁÈI Ì DÁI HÈÈÈI ÁÁ  
^È æáã { O { [ d çæã È~

ÚÜZÒSÝÖÖPÖK ÓÈÈ HÈÈHGÓÍ

Y ÖÖUSÁÖ

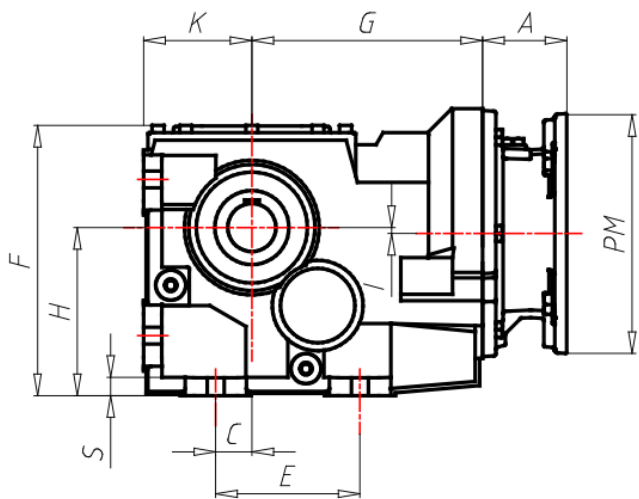


## ÖÖË ÒÁÒÔÏ ÒÛÏ ÒÁÏ ÿÏ ÖÛÿ

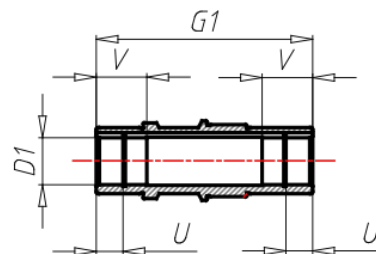
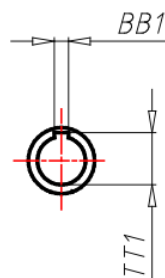
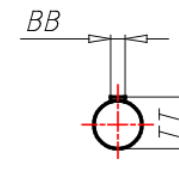
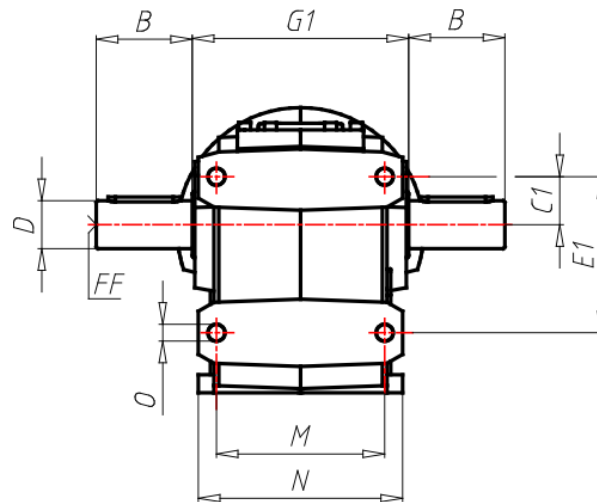
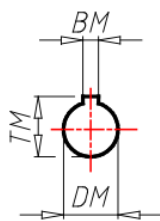
<b>GR Size</b>	083
<b>VERS Gear box version</b>	U-Universal
<b>VERSALBE Output shaft version</b>	C-Hollow
<b>RAP Ratio</b>	
<b>PAM Input PAM flange</b>	132 B5
<b>ACU1 Output shaft (d*l)</b>	40
<b>TFU Output flange</b>	NO
<b>DFU Output flange dimension (d)</b>	-
<b>PFU Output flange position</b>	-
<b>AL Low speed shaft accessory (d)</b>	No
<b>PAL Low speed shaft accessory position</b>	-
<b>BR Torque arm</b>	No
<b>PBR Torque arm position</b>	-
<b>CP Protection cover position</b>	NO
<b>TIP Motor/Inverter Motor</b>	No
<b>GRA Motor size</b>	-
<b>RAF Cooling</b>	-
<b>FC Motor execution</b>	-
<b>ALI Supply</b>	-
<b>GIRI Speed Range</b>	-
<b>POTE Power Group</b>	-
<b>CTRL Manual Adjustment Control</b>	-
<b>MODU Expansion modules</b>	-
<b>TF Break type</b>	-
<b>AF Brake power supply</b>	-
<b>RF Brake rectifier</b>	-
<b>ACC Accessories</b>	-
<b>COP Terminal box cover</b>	-
<b>SER Forced ventilation</b>	-
<b>CVE Fan cover</b>	-
<b>MOR Terminal box cover position</b>	-

<b>A</b>	<b>110</b>
<b>B</b>	<b>-</b>
<b>BB</b>	<b>-</b>
<b>BB1</b>	<b>12</b>
<b>BM</b>	<b>10</b>
<b>BM1</b>	<b>-</b>
<b>C</b>	<b>-</b>
<b>C1</b>	<b>40</b>
<b>D</b>	<b>-</b>
<b>D1</b>	<b>40</b>
<b>DM</b>	<b>38</b>
<b>DM1</b>	<b>-</b>
<b>E</b>	<b>-</b>
<b>EE</b>	<b>-</b>
<b>E1</b>	<b>130</b>
<b>F</b>	<b>225</b>
<b>F1</b>	<b>-</b>
<b>FF</b>	<b>-</b>
<b>FF1</b>	<b>-</b>
<b>G</b>	<b>192</b>
<b>G1</b>	<b>180</b>
<b>H</b>	<b>140</b>
<b>H1</b>	<b>-</b>
<b>I</b>	<b>5</b>
<b>K</b>	<b>90</b>
<b>K1</b>	<b>-</b>
<b>LL</b>	<b>-</b>
<b>M</b>	<b>140</b>
<b>N</b>	<b>170</b>
<b>O</b>	<b>14</b>
<b>PM</b>	<b>300</b>

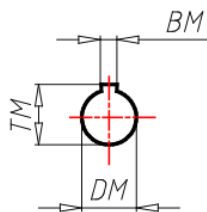
<b>PM1</b>	-
<b>S</b>	<b>15</b>
<b>TT</b>	-
<b>TT1</b>	<b>43.3</b>
<b>TM</b>	<b>41.3</b>
<b>TM1</b>	-
<b>U</b>	<b>22.25</b>
<b>V</b>	<b>42</b>
<b>X</b>	-
<b>Y</b>	-



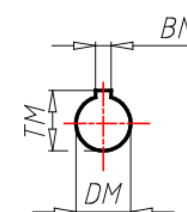
B/PB...F



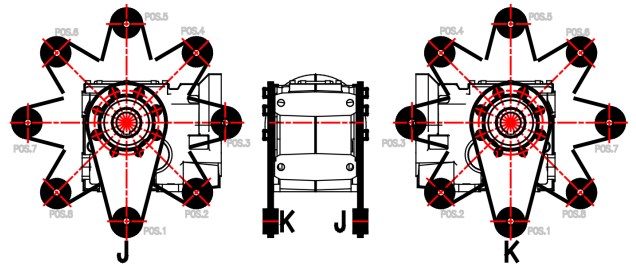
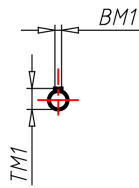
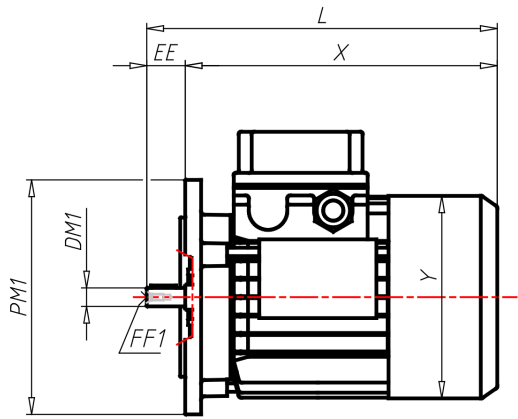
B/PB...S



B/PB...U



ΑΕΣΟΔΟΥΣ



B5

