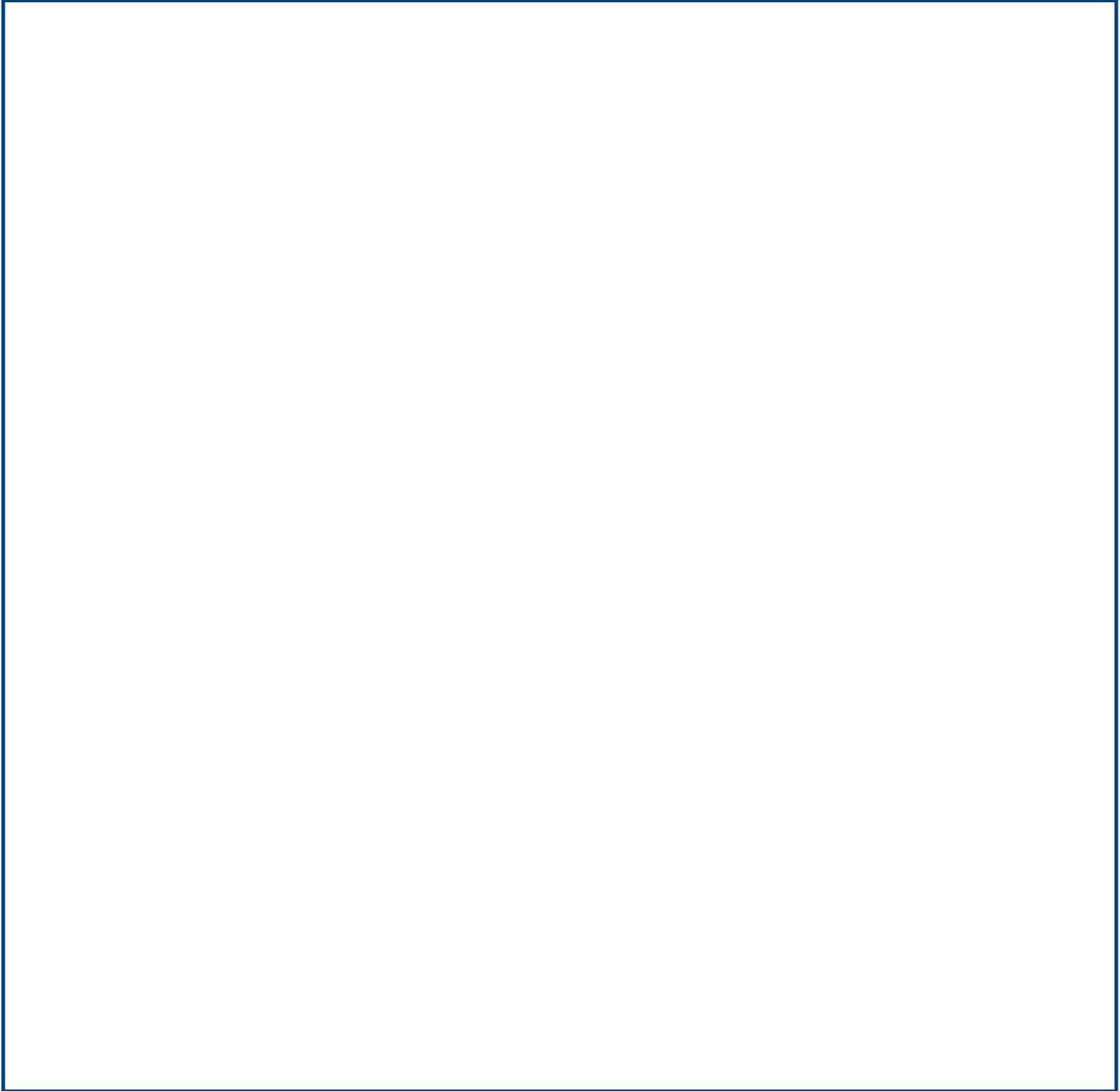


È [ d çæã È<sup>~</sup>  
^È æã { O { [ d çæã È<sup>~</sup>

ÚÜZÒSÝÖÞØK PÈÌ HË€€ƒFGÓÍ

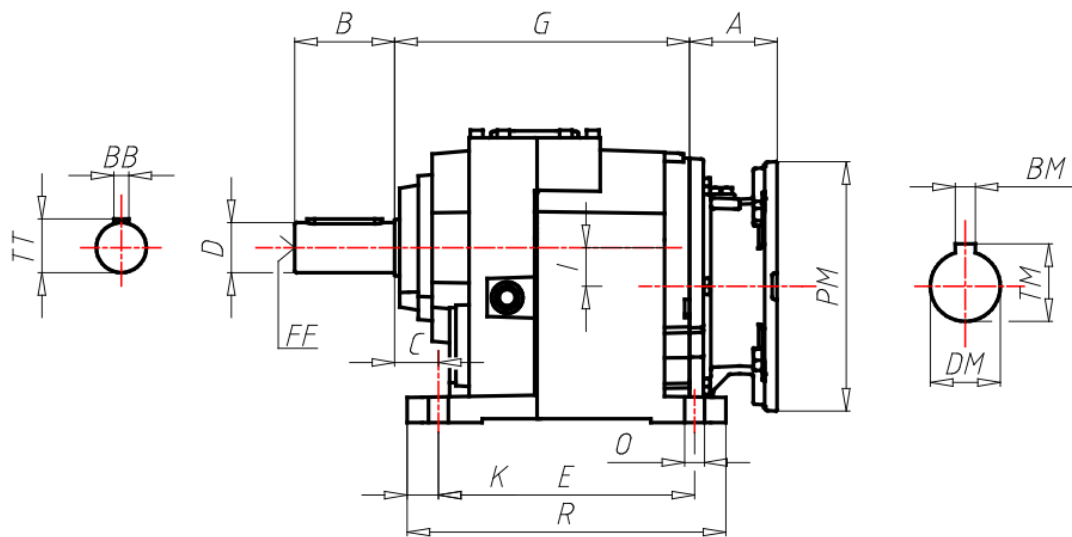
Y ØUSÁÖ



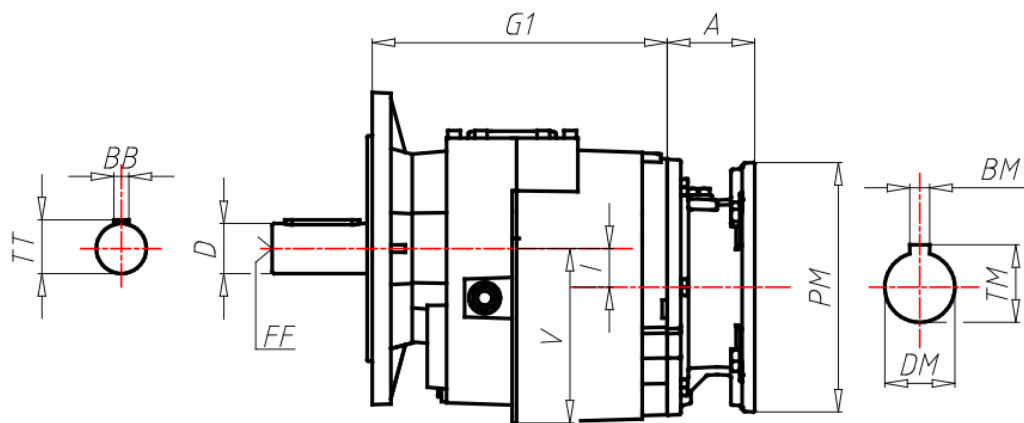
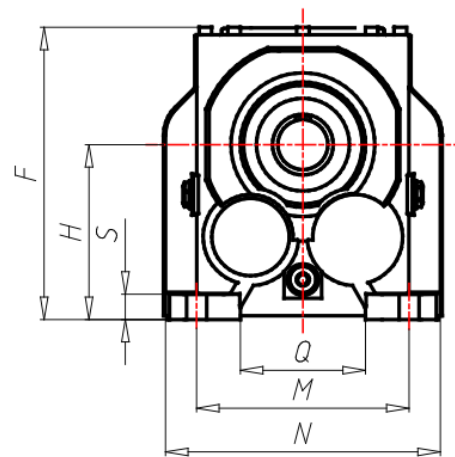
## ÖÖË ÒÁÒÔÏ ÒÏÏ ÒÁÏ ÏÏÏ

<b>GR Size</b>	<b>083</b>
<b>VERS Gear box version</b>	<b>T-With Feet</b>
<b>RAP Ratio</b>	
<b>PAM Input PAM flange</b>	<b>100-112 B5</b>
<b>ACU1 Output shaft (d*I)</b>	<b>50x100</b>
<b>TFU Output flange</b>	-
<b>DFU Output flange dimension (d)</b>	-
<b>TIP Motor/Inverter Motor</b>	<b>No</b>
<b>GRA Motor size</b>	-
<b>ALI Supply</b>	-
<b>GIRI Speed Range</b>	-
<b>POTE Power Group</b>	-
<b>CTRL Manual Adjustment Control</b>	-
<b>MODU Expansion modules</b>	-
<b>RAF Cooling</b>	-
<b>FC Motor execution</b>	-
<b>TF Break type</b>	-
<b>AF Brake power supply</b>	-
<b>COP Terminal box cover</b>	-
<b>CVE Fan cover</b>	-
<b>MOR Terminal box cover position</b>	-
<b>A</b>	<b>85</b>
<b>B</b>	<b>100</b>
<b>BB</b>	<b>14</b>
<b>BM</b>	<b>8</b>
<b>BM1</b>	-
<b>C</b>	<b>40</b>
<b>D Output shaft (d*I)</b>	<b>50</b>
<b>DM</b>	<b>28</b>
<b>DM1</b>	-
<b>E</b>	<b>260</b>

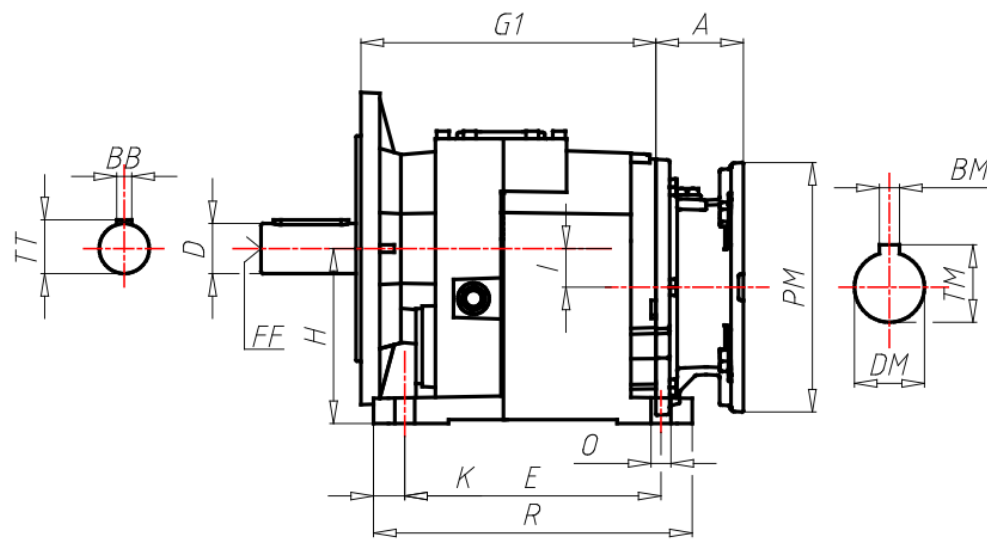
<b>EE</b>	-
<b>F</b>	<b>292</b>
<b>FF</b>	<b>M16</b>
<b>FF1</b>	-
<b>G</b>	<b>272.5</b>
<b>G1</b>	-
<b>H</b>	<b>180</b>
<b>I</b>	<b>31</b>
<b>K</b>	<b>27.5</b>
<b>L</b>	-
<b>M</b>	<b>215</b>
<b>N</b>	<b>280</b>
<b>O</b>	<b>18</b>
<b>PM</b>	<b>250</b>
<b>PM1</b>	-
<b>Q</b>	<b>143</b>
<b>R</b>	<b>315</b>
<b>S</b>	<b>25</b>
<b>TM</b>	<b>31.3</b>
<b>TM1</b>	-
<b>TT</b>	<b>53.5</b>
<b>X</b>	-
<b>Y</b>	-



H/PH...T

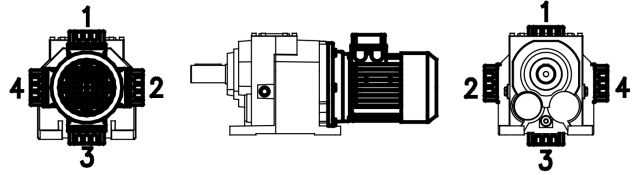
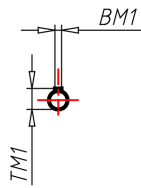
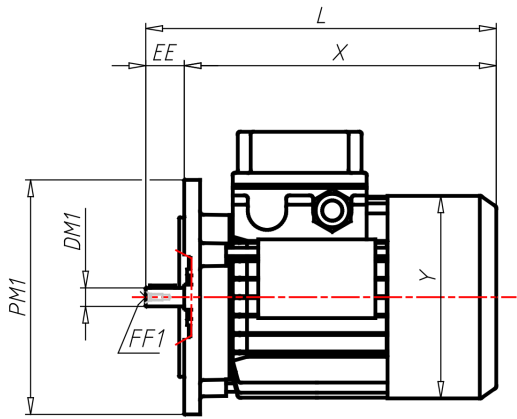


H/PH...F



H/PH...U

ΑΕΣΟΔΟΥΣ



B5