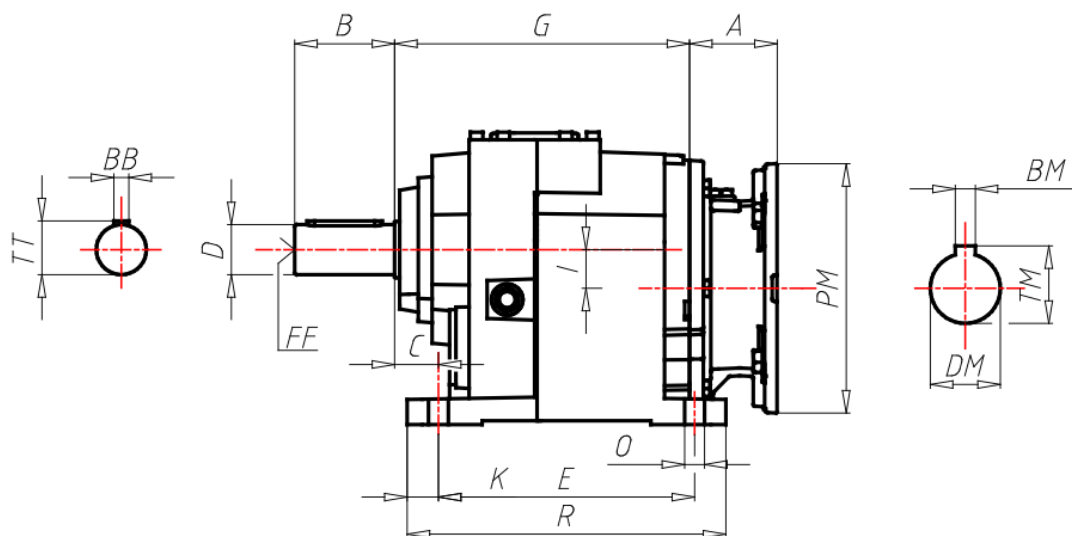


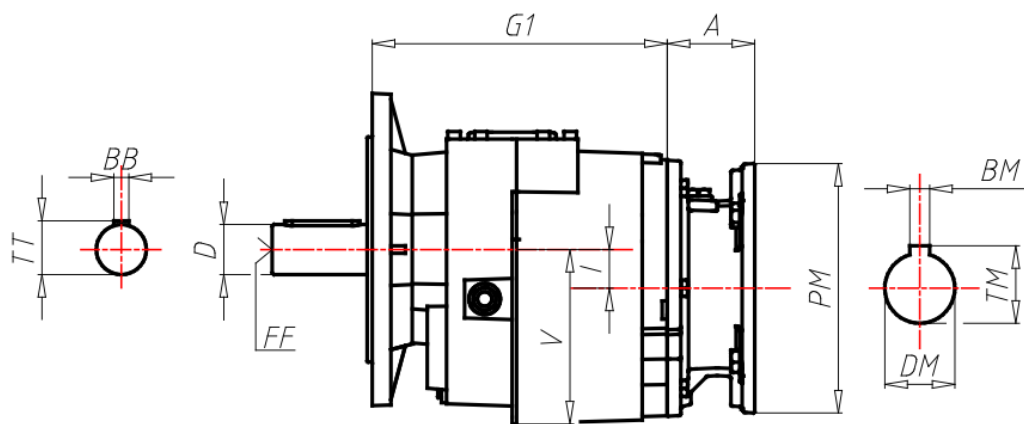
ÖÖË ÒÁÒÔÏ ÒÏÏ ÒÁÏ ÏÏÏ

GR Size	082
VERS Gear box version	T-With Feet
RAP Ratio	
PAM Input PAM flange	90 B5
ACU1 Output shaft (d*I)	50x100
TFU Output flange	-
DFU Output flange dimension (d)	-
TIP Motor/Inverter Motor	No
GRA Motor size	-
ALI Supply	-
GIRI Speed Range	-
POTE Power Group	-
CTRL Manual Adjustment Control	-
MODU Expansion modules	-
RAF Cooling	-
FC Motor execution	-
TF Break type	-
AF Brake power supply	-
COP Terminal box cover	-
CVE Fan cover	-
MOR Terminal box cover position	-
A	70
B	100
BB	14
BM	8
BM1	-
C	40
D Output shaft (d*I)	50
DM	24
DM1	-
E	260

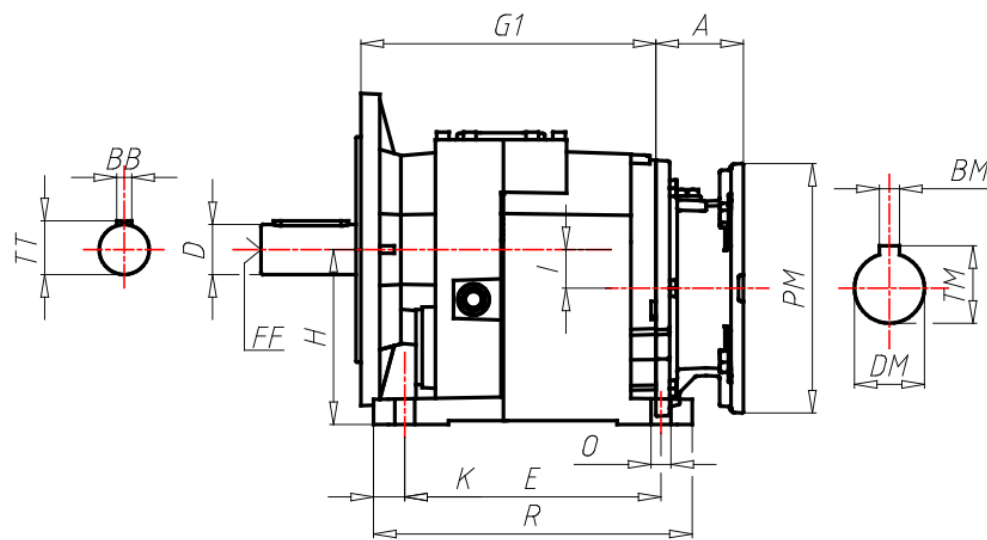
EE	-
F	292
FF	M16
FF1	-
G	272.5
G1	-
H	180
I	31
K	27.5
L	-
M	215
N	280
O	18
PM	200
PM1	-
Q	143
R	315
S	25
TM	27.3
TM1	-
TT	53.5
X	-
Y	-



H/PH...T

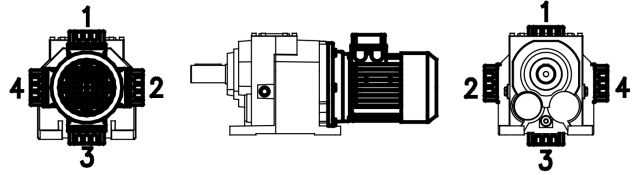
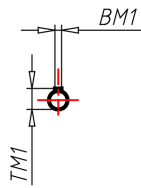
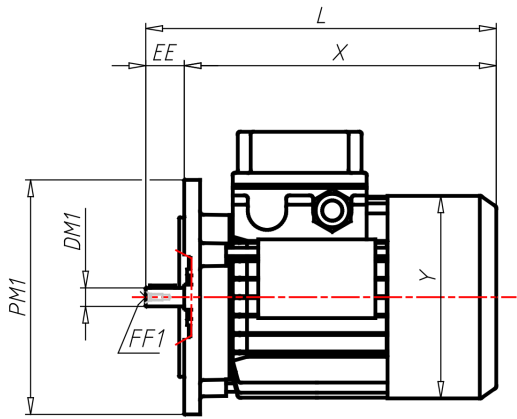


H/PH...F



H/PH...U

ΑΞΟΝΟΔΕΞΗ



B5