

È [ d çæã È˘  
ÈÈÌ Ì ÁÈÌ Ì DÌ HÈÈÈ Ì ÁÁ  
^È æáã { O { [ d çæã È˘

ÚÜZÒSÝÖÞØK PÈÊ HËËÓÍ

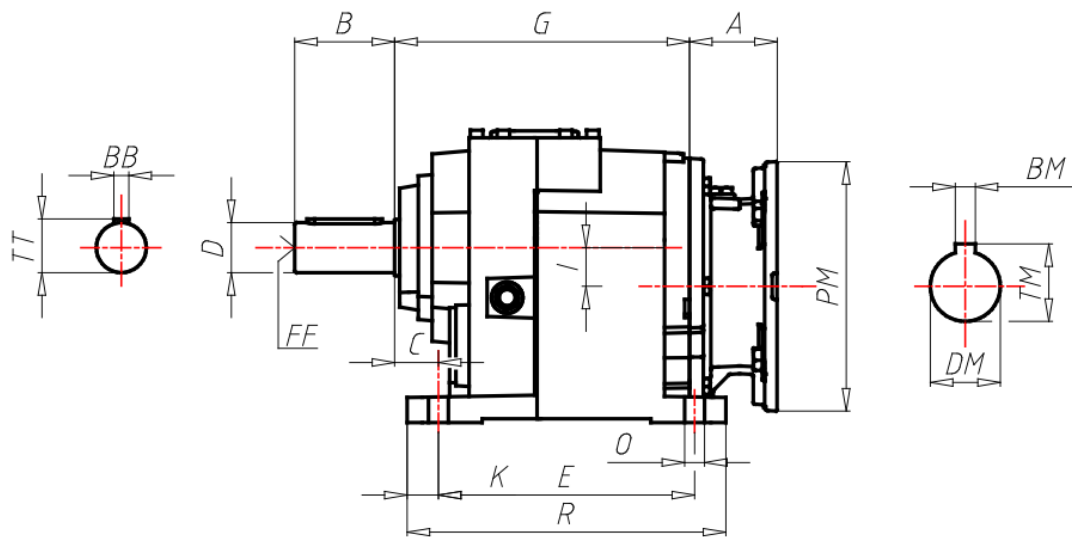
Υ ÖUSÁÖ



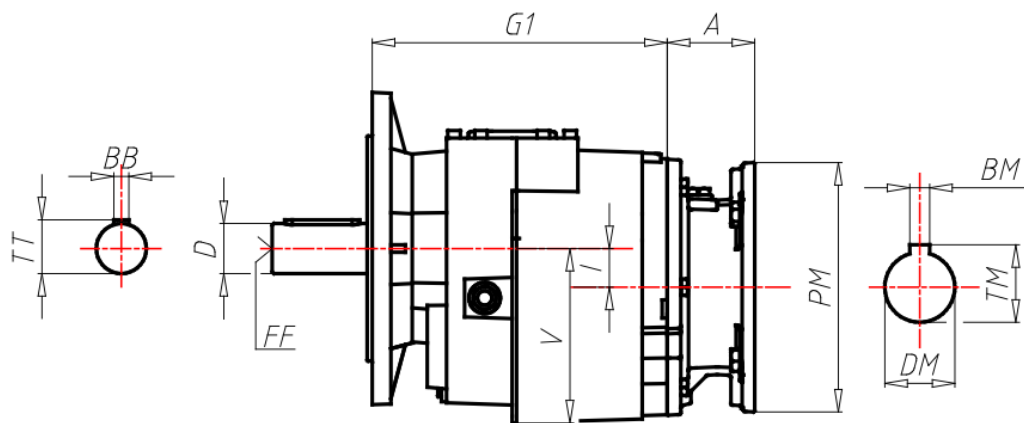
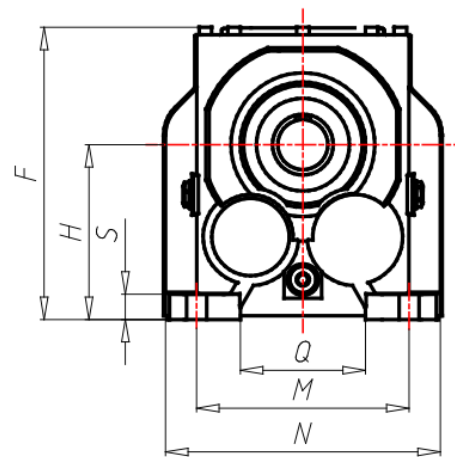
## ÖÖË ÒÁÒÔÏ ÒÏÏ ÒÁÏ ÆÏÏ

<b>GR Size</b>	<b>063</b>
<b>VERS Gear box version</b>	<b>T-With Feet</b>
<b>RAP Ratio</b>	
<b>PAM Input PAM flange</b>	<b>90 B5</b>
<b>ACU1 Output shaft (d*I)</b>	<b>40x80</b>
<b>TFU Output flange</b>	<b>-</b>
<b>DFU Output flange dimension (d)</b>	<b>-</b>
<b>TIP Motor/Inverter Motor</b>	<b>No</b>
<b>GRA Motor size</b>	<b>-</b>
<b>ALI Supply</b>	<b>-</b>
<b>GIRI Speed Range</b>	<b>-</b>
<b>POTE Power Group</b>	<b>-</b>
<b>CTRL Manual Adjustment Control</b>	<b>-</b>
<b>MODU Expansion modules</b>	<b>-</b>
<b>RAF Cooling</b>	<b>-</b>
<b>FC Motor execution</b>	<b>-</b>
<b>TF Break type</b>	<b>-</b>
<b>AF Brake power supply</b>	<b>-</b>
<b>COP Terminal box cover</b>	<b>-</b>
<b>CVE Fan cover</b>	<b>-</b>
<b>MOR Terminal box cover position</b>	<b>-</b>
<b>A</b>	<b>70</b>
<b>B</b>	<b>80</b>
<b>BB</b>	<b>12</b>
<b>BM</b>	<b>8</b>
<b>BM1</b>	<b>-</b>
<b>C</b>	<b>35</b>
<b>D Output shaft (d*I)</b>	<b>40</b>
<b>DM</b>	<b>24</b>
<b>DM1</b>	<b>-</b>
<b>E</b>	<b>205</b>

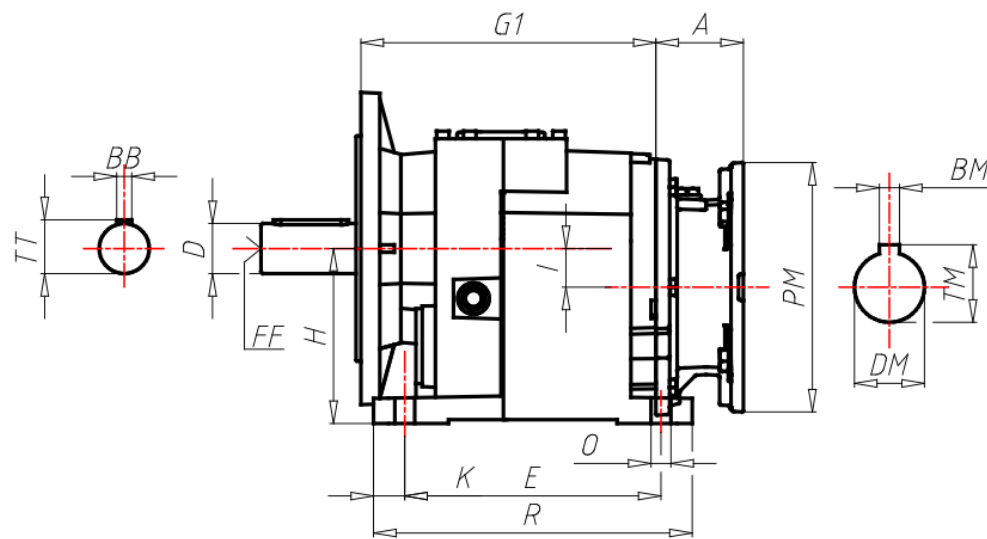
<b>EE</b>	-
<b>F</b>	234
<b>FF</b>	M16
<b>FF1</b>	-
<b>G</b>	236
<b>G1</b>	-
<b>H</b>	140
<b>I</b>	31
<b>K</b>	25
<b>L</b>	-
<b>M</b>	170
<b>N</b>	220
<b>O</b>	16
<b>PM</b>	200
<b>PM1</b>	-
<b>Q</b>	100
<b>R</b>	255
<b>S</b>	20
<b>TM</b>	27.3
<b>TM1</b>	-
<b>TT</b>	43
<b>X</b>	-
<b>Y</b>	-



*H/PH...T*

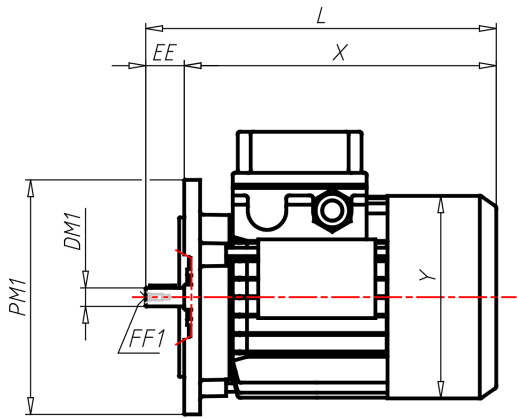


*H/PH...F*



*H/PH...U*

ΑΕΣΟΔΟΥΣ



B5

