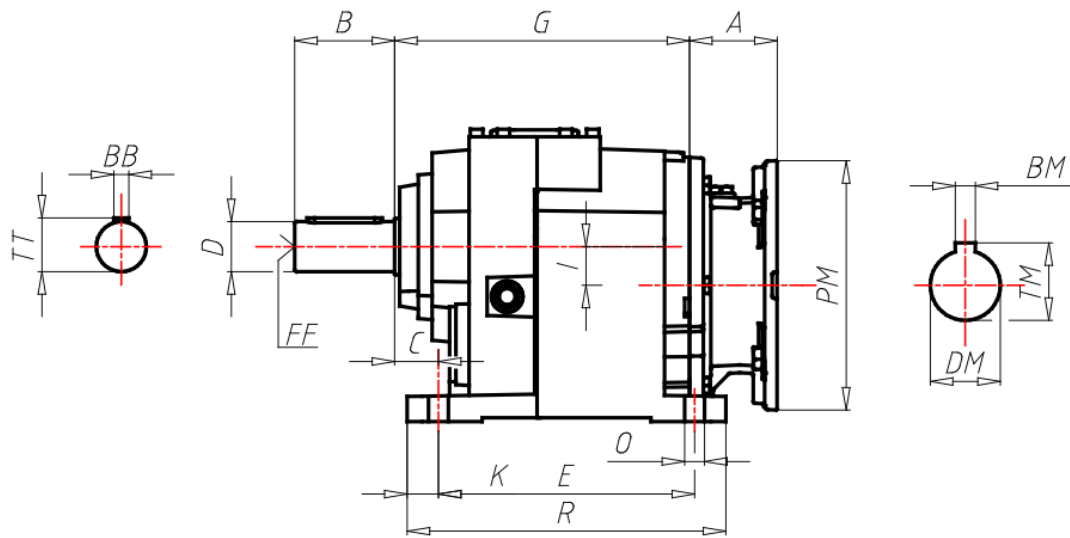


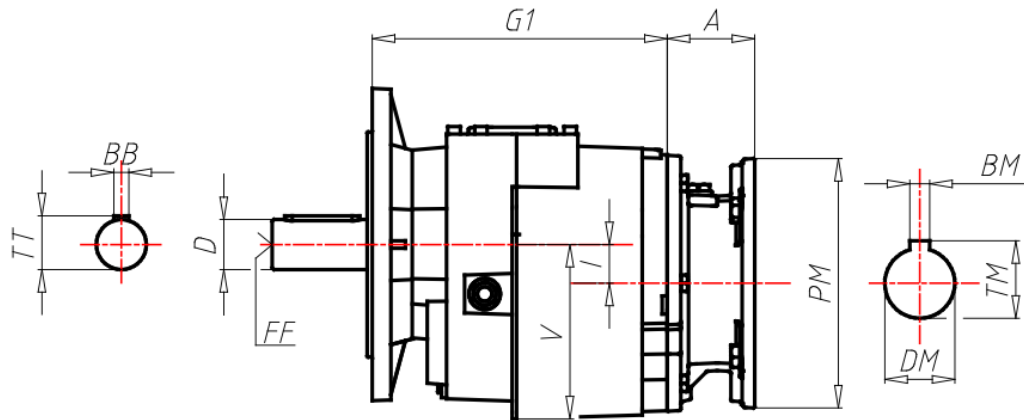
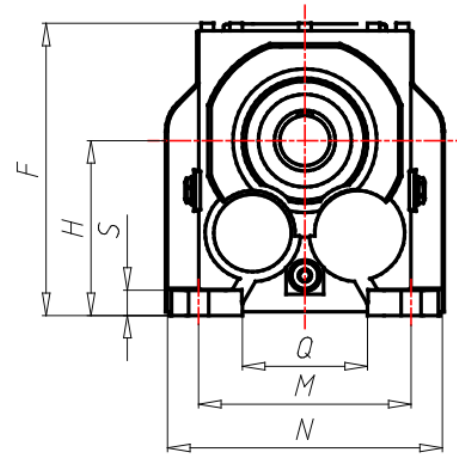
ÖÖË ÒÁÒÔÏ ÒÏÏ ÒÁÏ ÏÏÏ

| | |
|--|--------------------|
| GR Size | 052 |
| VERS Gear box version | T-With Feet |
| RAP Ratio | |
| PAM Input PAM flange | 90 B5 |
| ACU1 Output shaft (d*I) | 35x70 |
| TFU Output flange | - |
| DFU Output flange dimension (d) | - |
| TIP Motor/Inverter Motor | No |
| GRA Motor size | - |
| ALI Supply | - |
| GIRI Speed Range | - |
| POTE Power Group | - |
| CTRL Manual Adjustment Control | - |
| MODU Expansion modules | - |
| RAF Cooling | - |
| FC Motor execution | - |
| TF Break type | - |
| AF Brake power supply | - |
| COP Terminal box cover | - |
| CVE Fan cover | - |
| MOR Terminal box cover position | - |
| A | 90 |
| B | 70 |
| BB | 10 |
| BM | 8 |
| BM1 | - |
| C | 30 |
| D Output shaft (d*I) | 35 |
| DM | 24 |
| DM1 | - |
| E | 165 |

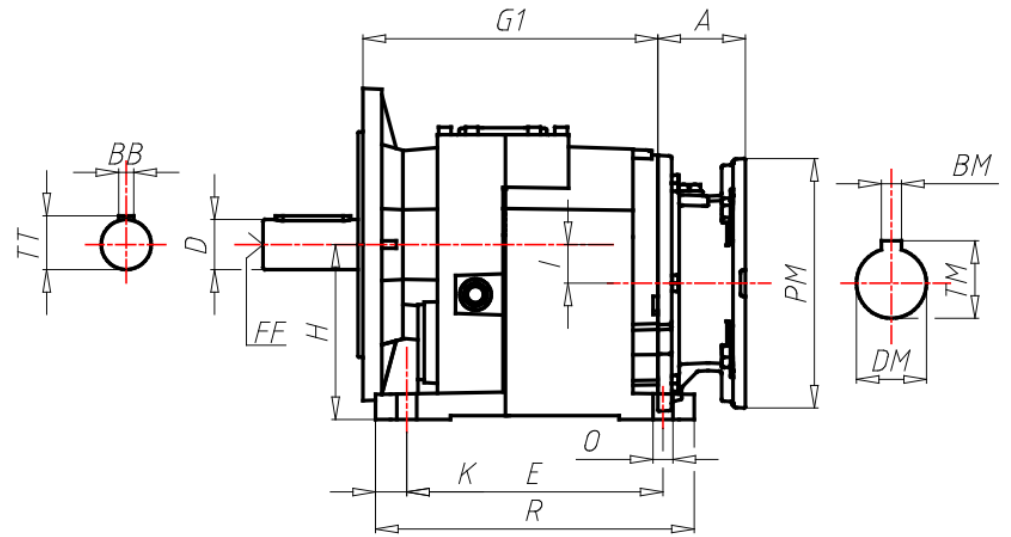
| | |
|-----|------|
| EE | - |
| F | 192 |
| FF | M12 |
| FF1 | - |
| G | 187 |
| G1 | - |
| H | 115 |
| I | 25.5 |
| K | 18 |
| L | - |
| M | 135 |
| N | 185 |
| O | 14 |
| PM | 200 |
| PM1 | - |
| Q | 82 |
| R | 201 |
| S | 18 |
| TM | 27.3 |
| TM1 | - |
| TT | 38 |
| X | - |
| Y | - |



H/PH...T

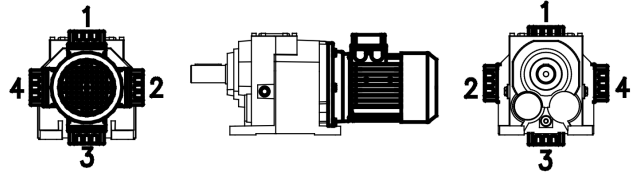
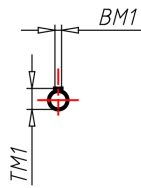
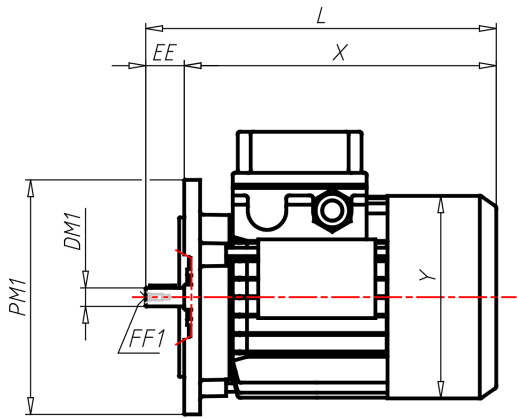


H/PH...F



H/PH...U

ΑΞΟΝΟΔΕΞΗ



B5