

ÖÖË ÒÁ/ÒÔÏ ÒÏËÏ

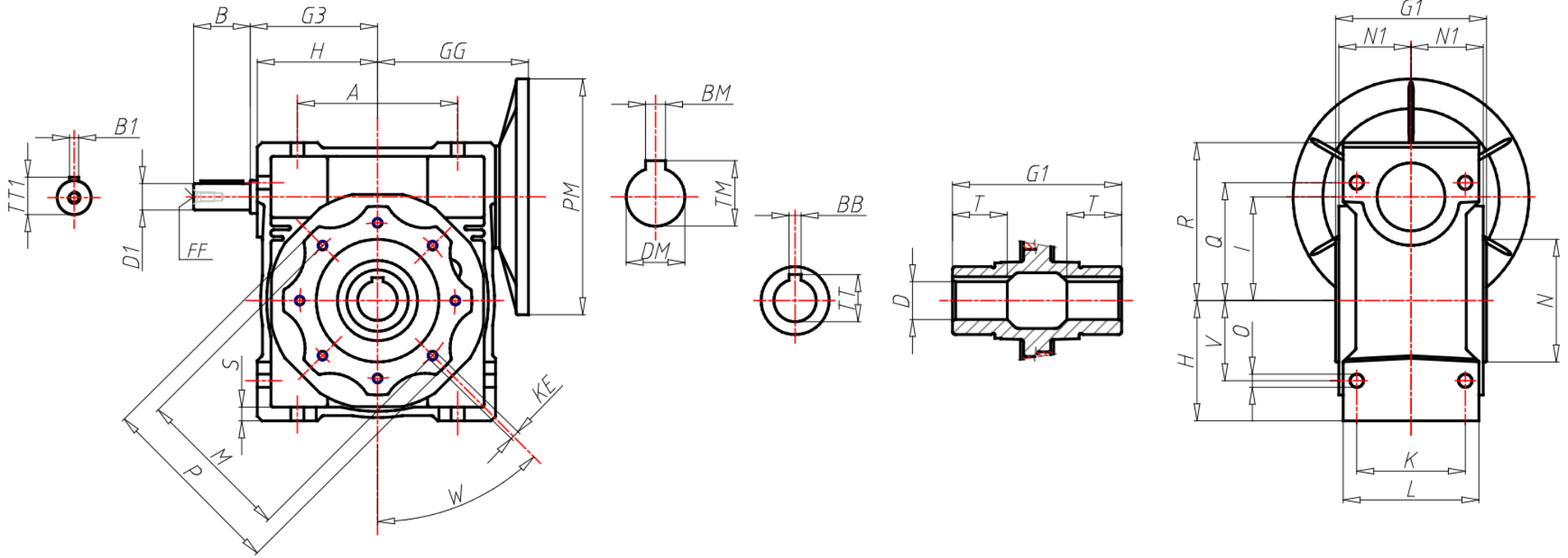
GR Size	110
RAP Ratio	Ó Í ÁÄÉÁ ÉÁ ÉÁ ÉÁ ÉÁÉÉ
PAM Input PAM flange	90 B5
ACU Output hole shaft (d)	42
VB Double input shaft	NO
TFU Output flange	T
DFU Output flange dimension (d)	-
PFU Output flange position	-
AL Output hole shaft (d)	No
PAL Output shaft position	-
BR Torque arm	No
PBR Pos. torque arm	-
CAP Cover	No
TIP Motor/Inverter Motor	No
GRA Motor size	-
ALI Supply	-
GIRI Speed Range	-
POTE Power Group	-
CTRL Manual Adjustment Control	-
MODU Expansion modules	-
RAF Cooling	-
FC Motor execution	-
TF Break type	-
AF Brake power supply	-
COP Terminal box cover	-
CVE Fan cover	-
MOR Pos. terminal box	-
A	170
AC	-
A1	-
B	60

ÖÖË ÒÁ/ÒÔË ÒËË

BB	12
BM	8
BM1	-
B1	8
C	-
D	42
D1	28
DM	24
DM1	-
E	-
EA	-
EB	-
EC	-
F	-
FF	M10
F1	-
GG	160
G1	-
G3	135
H	127.5
H1	-
H2	-
I	110
K	115
KE	M10x18
K0	-
K1	-
L	144
L1	-
LB	-
LL	-

ÖÖË ÒÁ/ÒÔÏ ÒËË

M	165	
N	130	
N1	74	
O	14	
P	200	
PM	200	
PM1	-	
Q	125	
R	167.5	
R1	-	
S	14.5	
S1	-	
T	50	
TM	27.3	
TM1	-	
TT	45.3	
TT1	31	
V	85	
W	45°	



ΑΙΣΘΗΤΗΡΕΣ

