

ÖÖË ÒÁÒÔÏ ÒÏË

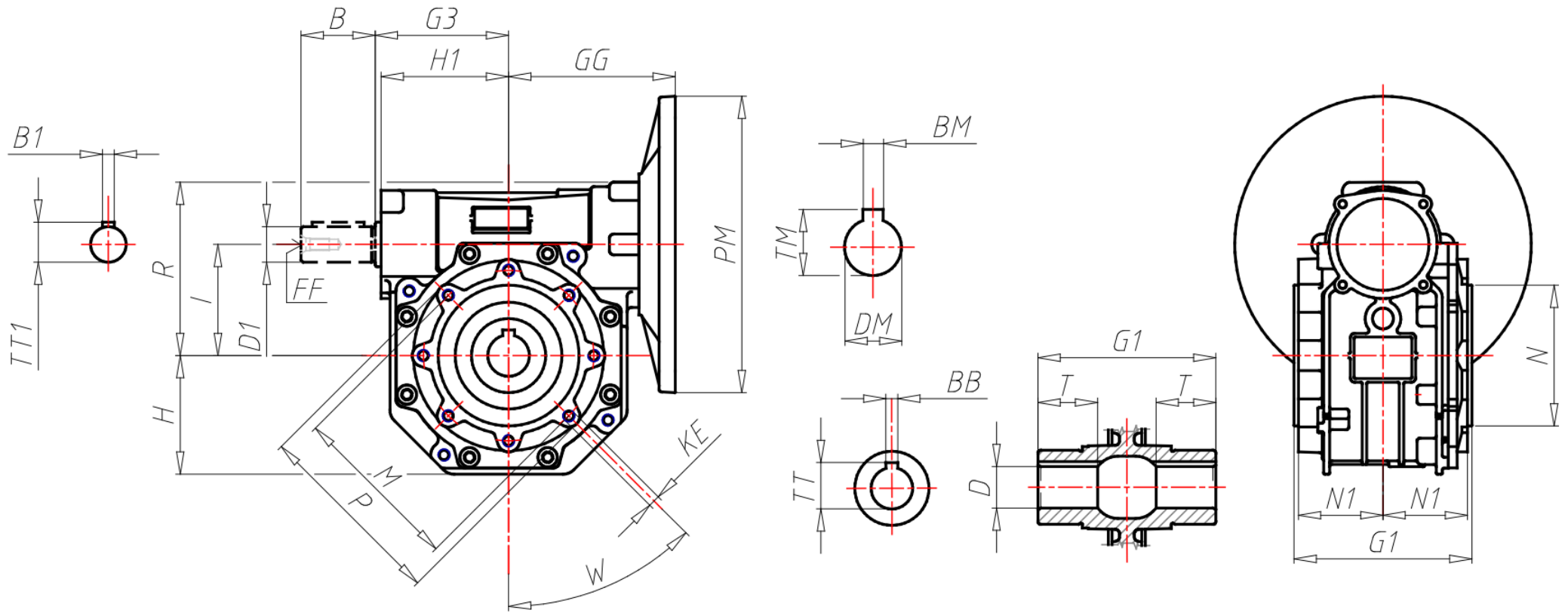
GR Size	090
RAP Ratio	ì é ÌÁÉÁÍ ÌÁÉÁÍ ÌÁÉÁ ÉÁ ÉÁ É
PAM Input PAM flange	90 B14
ACU Output hole shaft (d)	35
VB Double input shaft	NO
TFU Output flange	T
DFU Output flange dimension (d)	-
PFU Output flange position	-
AL Output hole shaft (d)	No
PAL Output shaft position	-
BR Torque arm	No
PBR Pos. torque arm	-
CAP Cover	No
TIP Motor/Inverter Motor	No
GRA Motor size	-
ALI Supply	-
GIRI Speed Range	-
POTE Power Group	-
CTRL Manual Adjustment Control	-
MODU Expansion modules	-
RAF Cooling	-
FC Motor execution	-
TF Break type	-
AF Brake power supply	-
COP Terminal box cover	-
CVE Fan cover	-
MOR Pos. terminal box	-
A	-
AC	-
A1	-
B	50

ÖÖË ÒÁ/ÒÔÏ ÒÏË

BB	10
BM	8
BM1	-
B1	8
C	-
D	35
D1	24
DM	24
DM1	-
E	-
EA	-
EB	-
EC	-
F	-
FF	M8
F1	-
GG	129.5
G1	-
G3	108
H	-
H1	97
H2	-
I	90
K	-
KE	M10x18
K0	-
K1	-
L	-
L1	-
LB	-
LL	-

ÖÖË ÒÁÒÔÏ ÒÛË

M	130	
N	110	
N1	67	
O	-	
P	148	
PM	140	
PM1	-	
Q	-	
R	133	
R1	-	
S	-	
S1	-	
T	45	
TM	27.3	
TM1	-	
TT	38.3	
TT1	27	
V	-	
W	45°	



αεσôòùüœ

