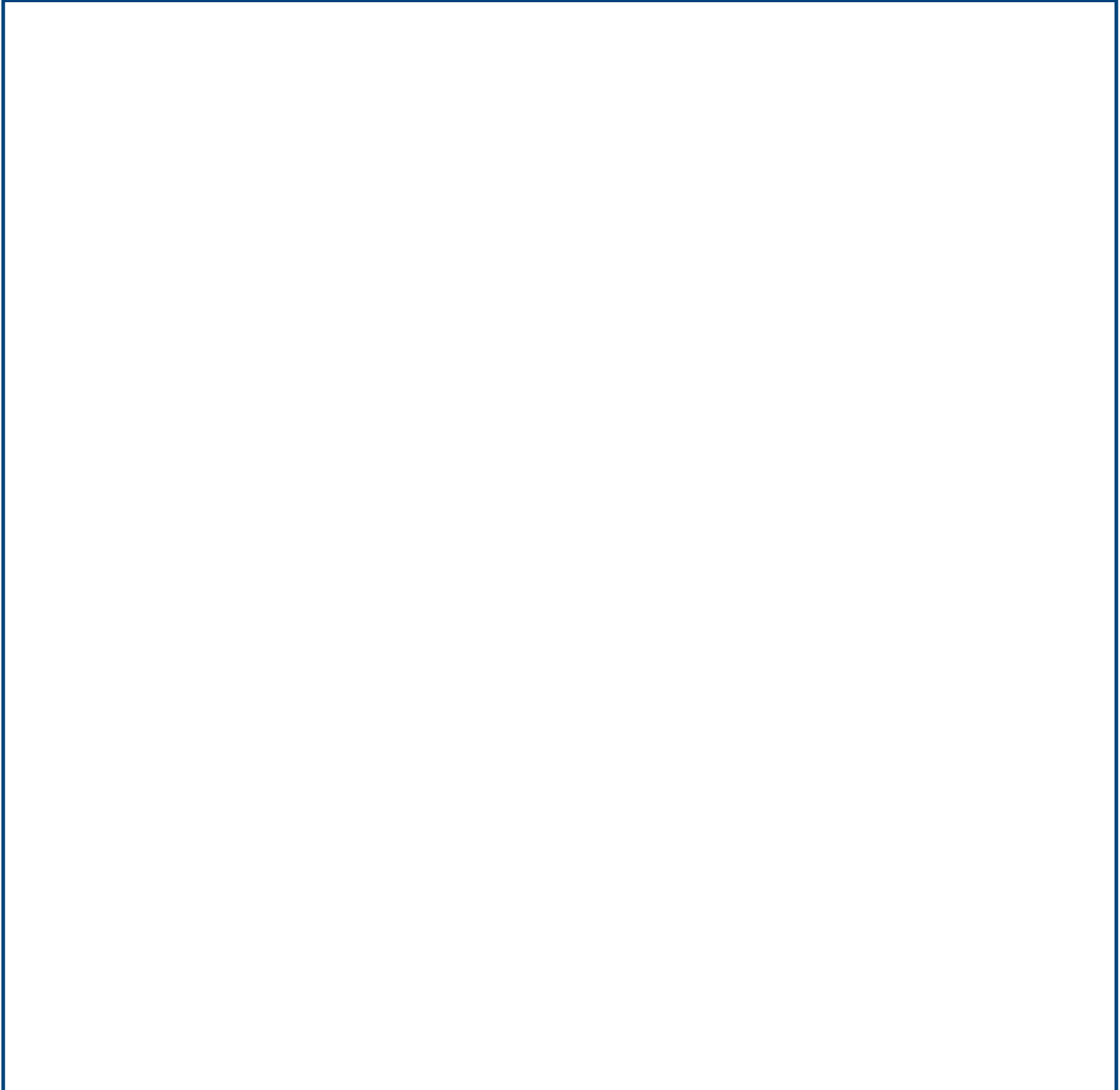


È [d çæã È~
À ÈÈ Ì ÁÈ Ì DÀÌ HÈÈÈ Ì ÁÈ æãã { O { [d çæã È~

ÚÜZÒSýÖÖÞÖK ÙY ÈÈ Í ÈÈÈÈFGÓFI

Y ÖUSÁÖ



ÖÖË ÒÁ/ÒÔÏ ÒÏËÏ

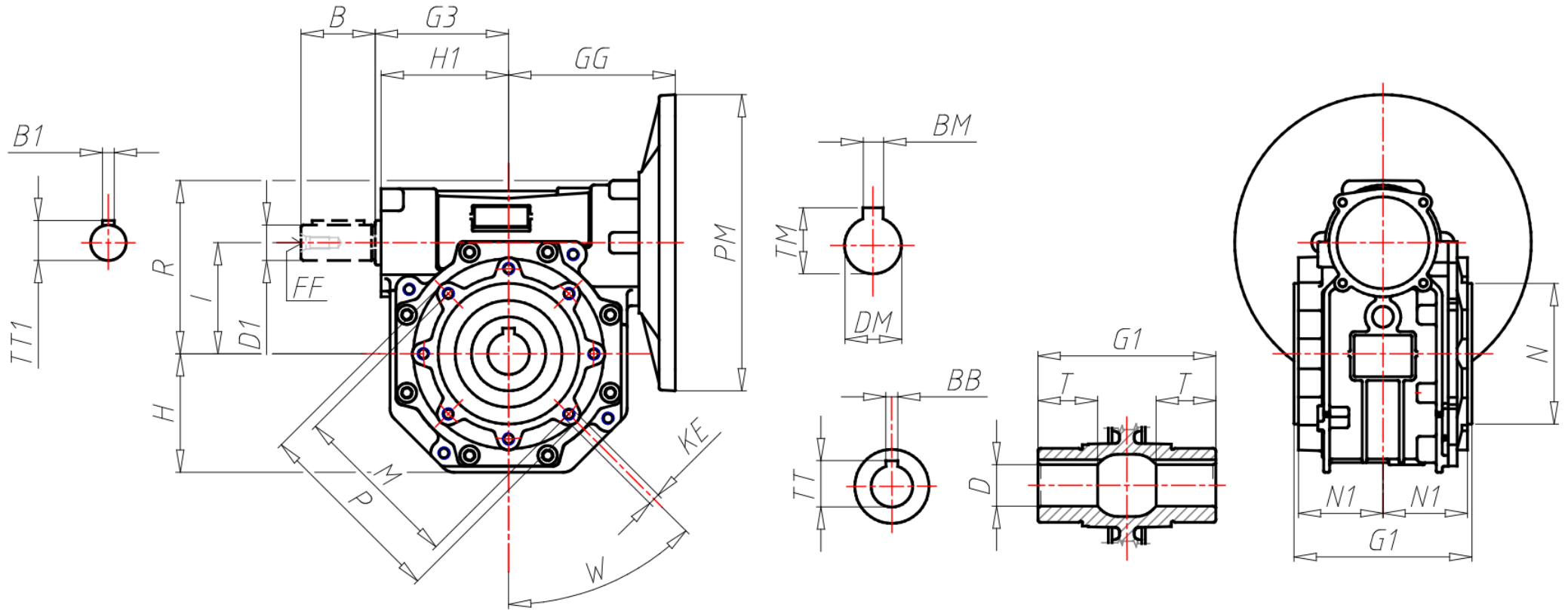
GR Size	075
RAP Ratio	ÿ Ë ÌÁ-ËÁÍ L
PAM Input PAM flange	100-112 B14
ACU Output hole shaft (d)	28
VB Double input shaft	NO
TFU Output flange	T
DFU Output flange dimension (d)	-
PFU Output flange position	-
AL Output hole shaft (d)	No
PAL Output shaft position	-
BR Torque arm	No
PBR Pos. torque arm	-
CAP Cover	No
TIP Motor/Inverter Motor	No
GRA Motor size	-
ALI Supply	-
GIRI Speed Range	-
POTE Power Group	-
CTRL Manual Adjustment Control	-
MODU Expansion modules	-
RAF Cooling	-
FC Motor execution	-
TF Break type	-
AF Brake power supply	-
COP Terminal box cover	-
CVE Fan cover	-
MOR Pos. terminal box	-
A	-
AC	-
A1	-
B	50

ÖÖË ÒÁ/ÒÔÏ ÒÏË

BB	8
BM	8
BM1	-
B1	8
C	-
D	28
D1	24
DM	28
DM1	-
E	-
EA	-
EB	-
EC	-
F	-
FF	M8
F1	-
GG	112.5
G1	-
G3	90
H	-
H1	80
H2	-
I	75
K	-
KE	M8x16
K0	-
K1	-
L	-
L1	-
LB	-
LL	-

ÖÖË ÒÁ/ÒÔË ÒË

M	115
N	95
N1	57
O	-
P	130
PM	160
PM1	-
Q	-
R	117
R1	-
S	-
S1	-
T	40
TM	31.3
TM1	-
TT	31.3
TT1	27
V	-
W	45°



αεσôòùüœ

