

ÖÖË ÒÁÒÔÏ ÒÛÏ

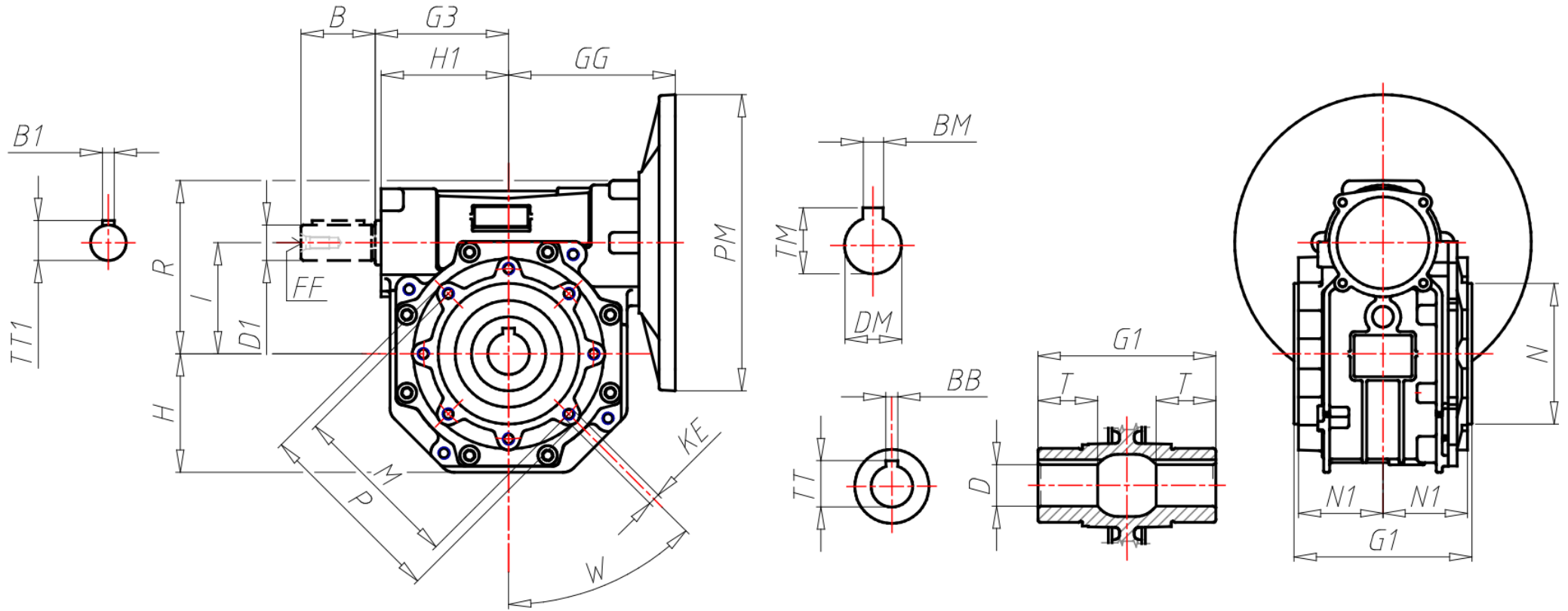
GR Size	040
RAP Ratio	Í LÁ È LÁ-ELÁÍ LÁELÁÍ LÁHELÁ ELÁ ELÁ EL
PAM Input PAM flange	63 B14 Ì ELÁ-EL
ACU Output hole shaft (d)	18
VB Double input shaft	NO
TFU Output flange	T
DFU Output flange dimension (d)	-
PFU Output flange position	-
AL Output hole shaft (d)	No
PAL Output shaft position	-
BR Torque arm	No
PBR Pos. torque arm	-
CAP Cover	No
TIP Motor/Inverter Motor	No
GRA Motor size	-
ALI Supply	-
GIRI Speed Range	-
POTE Power Group	-
CTRL Manual Adjustment Control	-
MODU Expansion modules	-
RAF Cooling	-
FC Motor execution	-
TF Break type	-
AF Brake power supply	-
COP Terminal box cover	-
CVE Fan cover	-
MOR Pos. terminal box	-
A	-
AC	-
A1	-
B	23

ÖÖË ÒÁ/ÒÔË ÒÛË

BB	6
BM	4
BM1	-
B1	4
C	-
D	18
D1	11
DM	11
DM1	-
E	-
EA	-
EB	-
EC	-
F	-
FF	-
F1	-
GG	70
G1	-
G3	53
H	-
H1	42
H2	-
I	40
K	-
KE	M6x10
K0	-
K1	-
L	-
L1	-
LB	-
LL	-

ÖÖË ÒÁÒÔË ÒËË

M	75
N	60
N1	36.5
O	-
P	87
PM	90
PM1	-
Q	-
R	70
R1	-
S	-
S1	-
T	26
TM	12.8
TM1	-
TT	20.8
TT1	12.5
V	-
W	45°



αεσôòùüøε

