



ÖÖË ÒÁÒÔÏ ÒÏËÏ

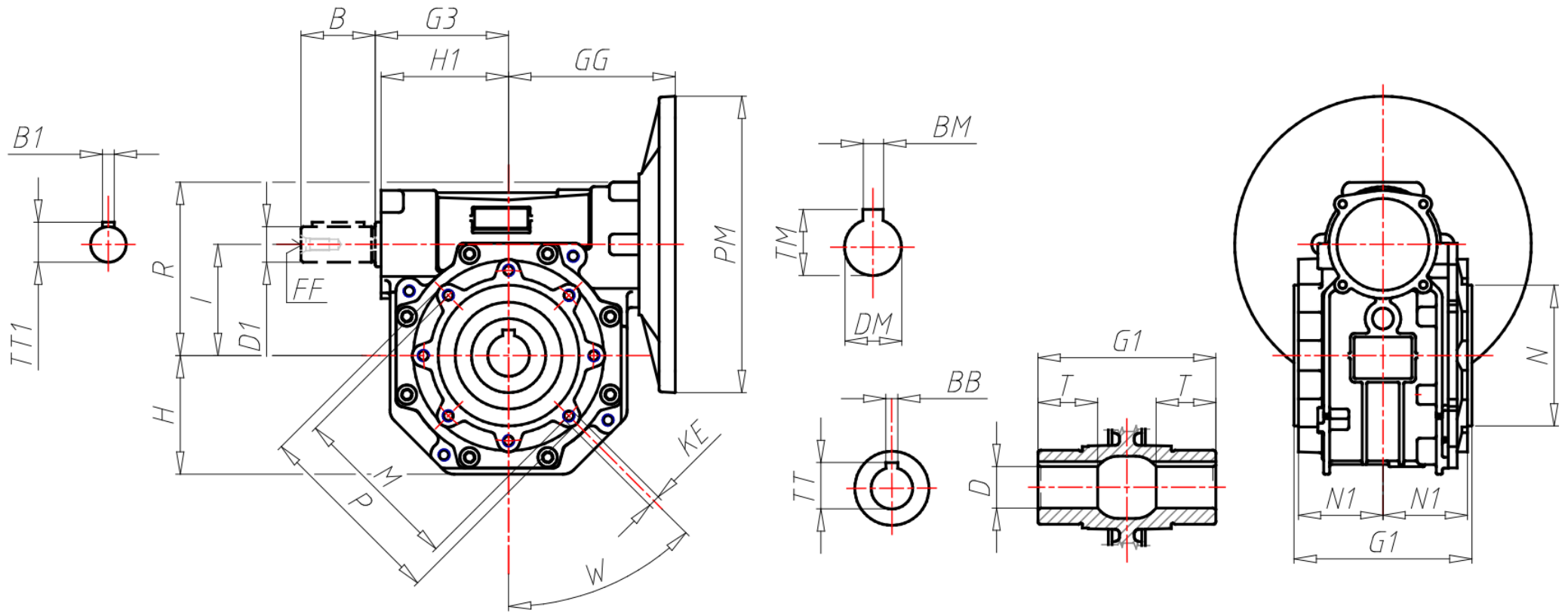
GR Size	030
RAP Ratio	Í LÁ È LÁ-ELÁÍ LÁ-ELÁÍ LÁ-ELÁ ELÁ EL
PAM Input PAM flange	63 B14
ACU Output hole shaft (d)	14
VB Double input shaft	NO
TFU Output flange	T
DFU Output flange dimension (d)	-
PFU Output flange position	-
AL Output hole shaft (d)	No
PAL Output shaft position	-
BR Torque arm	No
PBR Pos. torque arm	-
CAP Cover	No
TIP Motor/Inverter Motor	No
GRA Motor size	-
ALI Supply	-
GIRI Speed Range	-
POTE Power Group	-
CTRL Manual Adjustment Control	-
MODU Expansion modules	-
RAF Cooling	-
FC Motor execution	-
TF Break type	-
AF Brake power supply	-
COP Terminal box cover	-
CVE Fan cover	-
MOR Pos. terminal box	-
A	-
AC	-
A1	-
B	20

ÖÖË ÒÁ/ÒÔÏ ÒÏË

BB	5
BM	4
BM1	-
B1	3
C	-
D	14
D1	9
DM	11
DM1	-
E	-
EA	-
EB	-
EC	-
F	-
FF	-
F1	-
GG	55
G1	-
G3	45
H	-
H1	37.5
H2	-
I	30
K	-
KE	M6x11
K0	-
K1	-
L	-
L1	-
LB	-
LL	-

## ÖÖË ÒÁ/ÒÔË ÒË

M	65	
N	55	
N1	29	
O	-	
P	75	
PM	90	
PM1	-	
Q	-	
R	57	
R1	-	
S	-	
S1	-	
T	21	
TM	12.8	
TM1	-	
TT	16.3	
TT1	10.2	
V	-	
W	0°	



αεσôòùüœ

