

PRODUCT DESCRIPTION:

Worm geared motor fitted for motor coupling
version PAM with sleeve

PRODUCT TYPE: NMRV

CONFIGURATION & DIMENSIONAL VALUES

GR Size	063
RAP Ratio	1 1.5 2 3 4 5 6 8 10 15 20
PAM Input PAM flange	71 B14
ACU Output hole shaft (d)	25
VB Double input shaft	NO
TFU Output flange gear unit 2	NO
DFU Output flange dimension (d)	-
PFU Output flange position	-
AL Output hole shaft (d)	NO
PAL Output shaft position	-
BR Torque arm	NO
PBR Torque arm position	-
CAP Cover	NO
TIP Motor type	NO
GRA Motor size	-
RAF Cooling	-
FC Motor execution	-
TF Break type	-
AF Brake power supply	-
COP Terminal box cover	-
CVE Fan cover	-
MOR Terminal box cover position	-
A	100
AC	-
B	40
B1	6
BB	8
BM	5
BM1	-
D	25(28)
D1	19

PRODUCT DESCRIPTION:

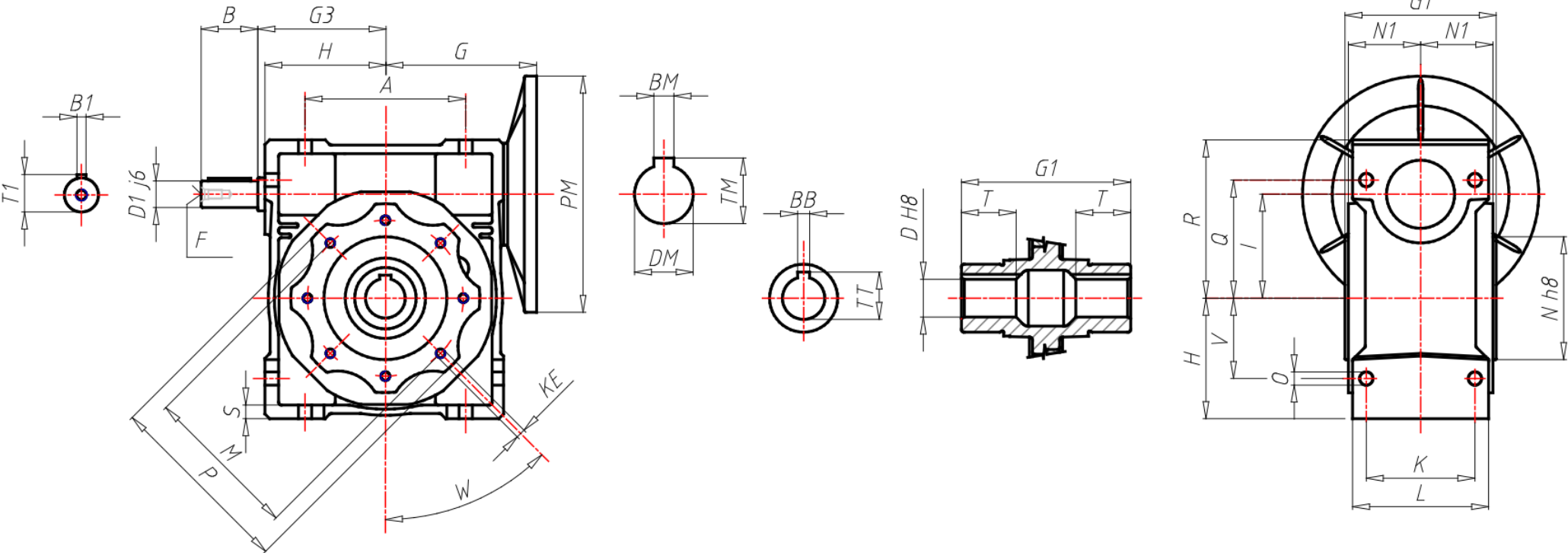
Worm geared motor fitted for motor coupling
version PAM with sleeve

PRODUCT TYPE: NMRV

CONFIGURATION & DIMENSIONAL VALUES

DM	14
DM1	-
E	-
F	M6
FF	-
G	95
G1	112
H	72
I	63
K	85
KE	M8x14(8)
L	103
LB	-
LL	-
M	95
N	80
N1	53
O	8.5
P	110
PM	105
PM1	-
Q	80
R	102
S	8
T	36
T1	21.5
TM	16.3
TM1	-
TT	28.3(31.3)
V	50
W	45°

2D VIEW PRA



PRODUCT DESCRIPTION:

Worm geared motor fitted for motor coupling version PAM with sleeve

PRODUCT TYPE: NMRV

2D VIEW ACCESSORIES

