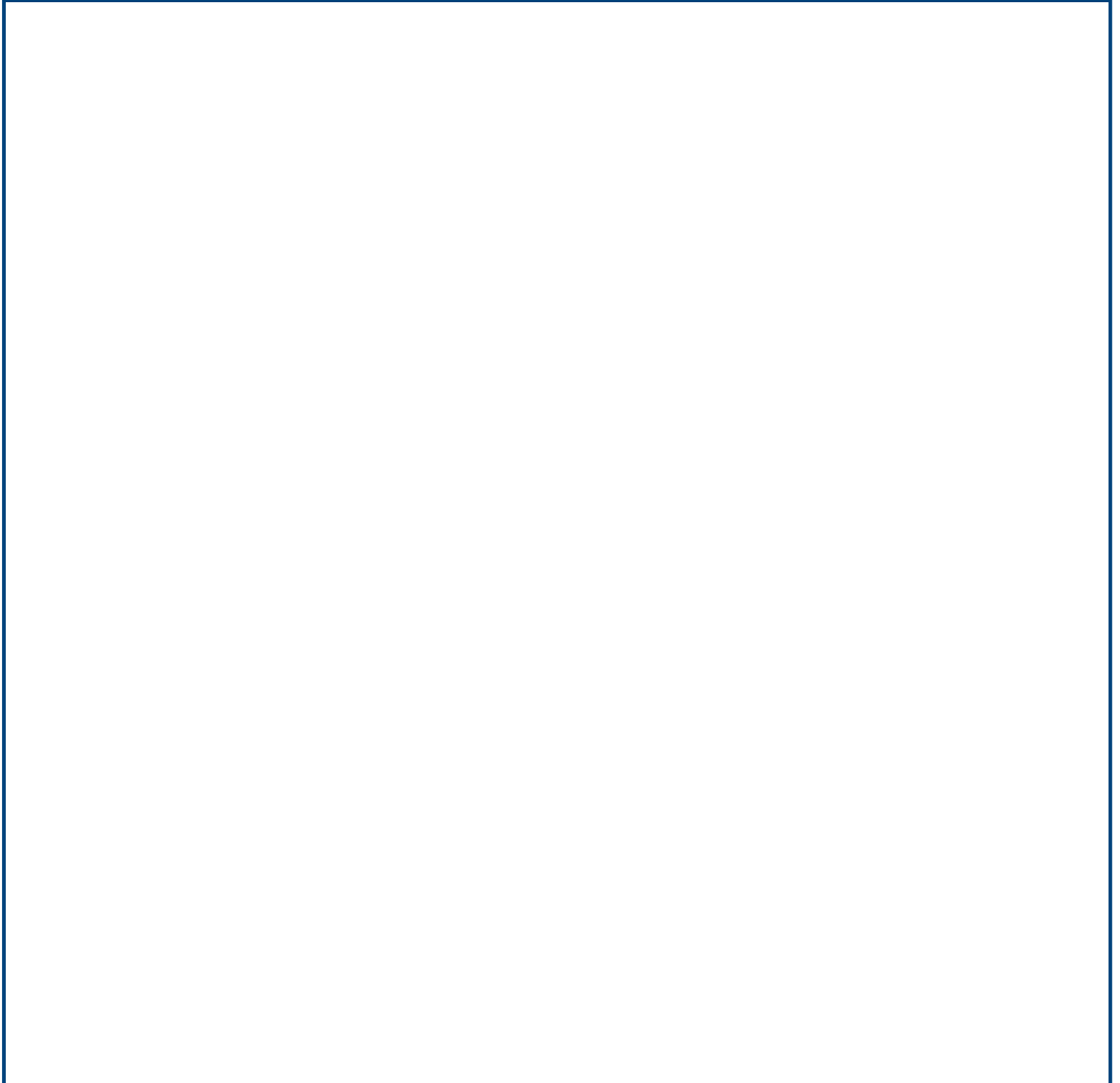


ÚÜZÒSýÖÞÖK NMRV-040-56B5

WIDOK 3D



PRODUCT DESCRIPTION:

Worm geared motor fitted for motor coupling
version PAM with sleeve

PRODUCT TYPE: NMRV

CONFIGURATION & DIMENSIONAL VALUES

GR Size	040
RAP Ratio	1 1.5 2 3 4 5 6 8 10 15 20 25 30 40 50 60 80 100
PAM Input PAM flange	56 B5
ACU Output hole shaft (d)	18
VB Double input shaft	NO
TFU Output flange gear unit 2	NO
DFU Output flange dimension (d)	-
PFU Output flange position	-
AL Output hole shaft (d)	NO
PAL Output shaft position	-
BR Torque arm	NO
PBR Torque arm position	-
CAP Cover	NO
TIP Motor type	NO
GRA Motor size	-
RAF Cooling	-
FC Motor execution	-
TF Break type	-
AF Brake power supply	-
COP Terminal box cover	-
CVE Fan cover	-
MOR Terminal box cover position	-
A	70
AC	-
B	23
B1	4
BB	6
BM	3
BM1	-
D	18(19)
D1	11

PRODUCT DESCRIPTION:

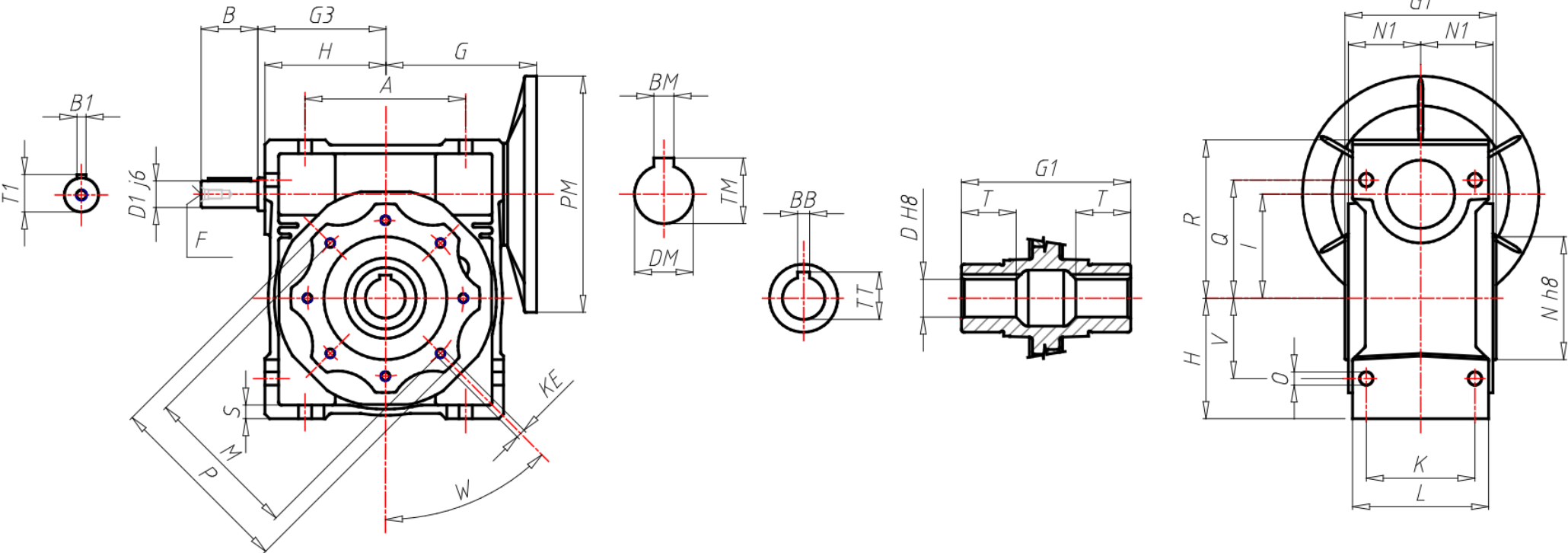
Worm geared motor fitted for motor coupling
version PAM with sleeve

PRODUCT TYPE: NMRV

CONFIGURATION & DIMENSIONAL VALUES

DM	9
DM1	-
E	-
F	-
FF	-
G	70
G1	78
H	50
I	40
K	60
KE	M6x10(4)
L	71
LB	-
LL	-
M	75
N	60
N1	36.5
O	6.5
P	87
PM	120
PM1	-
Q	55
R	71.5
S	6.5
T	26
T1	12.5
TM	10.4
TM1	-
TT	20.8(21.8)
V	35
W	45°

2D VIEW PRA



PRODUCT DESCRIPTION:

Worm geared motor fitted for motor coupling version PAM with sleeve

PRODUCT TYPE: NMRV

2D VIEW ACCESSORIES

