

Ú | Ü | Z | ò | S | ý | Ö | Þ | Ö | K NMRV-P-110-80B14

WIDOK 3D



ÖÖË ÒÁ/ÒÔÏ ÒÏË

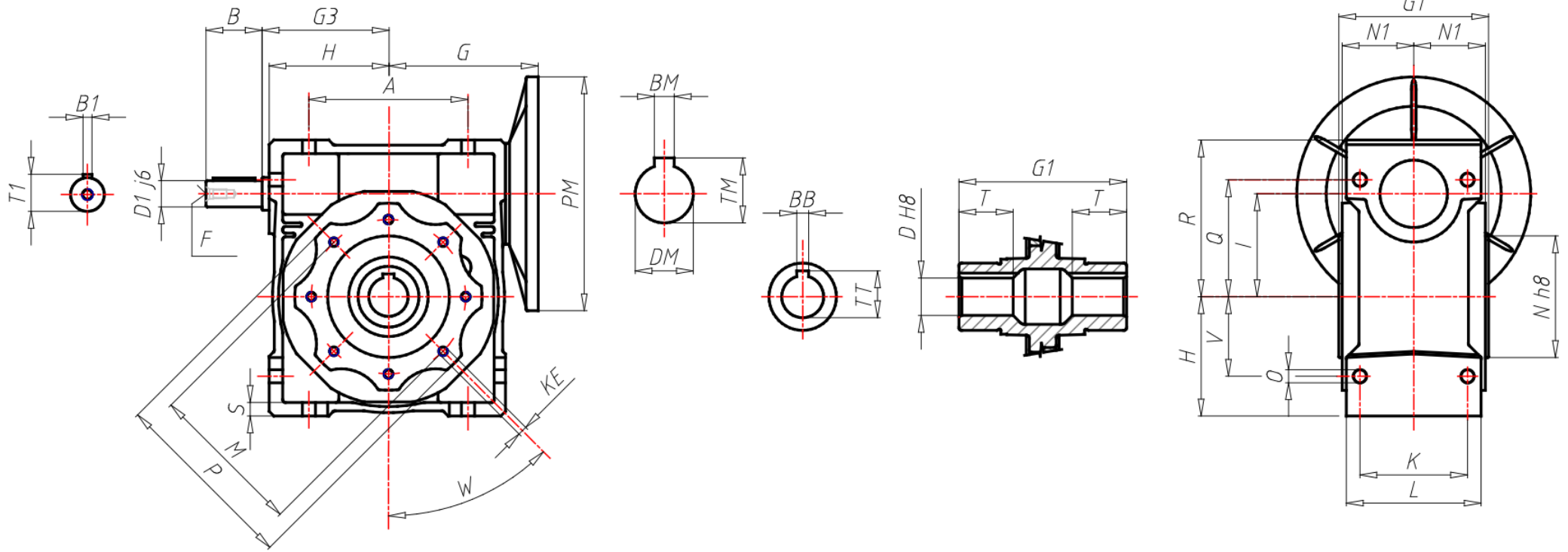
GR Size	110
RAP Ratio	ì €Á€€L
PAM Input PAM flange	80 B14 (120x19)
ACU Output hole shaft (d)	Ø42
VB Double input shaft	No
TFU Output flange	No
DFU Output flange dimension (d)	-
PFU Output flange position	-
AL Output shaft	No
PAL Output shaft position	-
BR Torque arm	No
PBR Torque arm position	-
CAP Cover	No
TIP Motor type	No
GRA Motor size	-
RAF Cooling	-
FC Motor execution	-
TF Break type	-
AF Brake power supply	-
COP Terminal box cover	-
CVE Fan cover	-
MOR Terminal box cover position	-
A	170
AC	-
B	-
BB	12
BM	6
BM1	-
B1	-
D	42
DM	19

ÖÖË ÒÁ/ÒÔÏ ÒÏË

DM1	-
D1 j6	-
E	-
F	M10
FF	-
G	168
G1	155
G3	135
H	128
H1	127.5
I	110
K	115
KE	M10*18(8)
L	144
LB	-
LL	-
M	165
N	130
N1	74
O	14
P	200
PM	120
PM1	-
Q	125
R	167.5
S	16
S1	16
T	50
TM	21.8
TM1	-
TT	45.3

ÖÖË ÒÁÒÔÏ ÒÛÏ

T1	-
V	85
W	45°



ΑΕΣΟÏÛÛÛ

