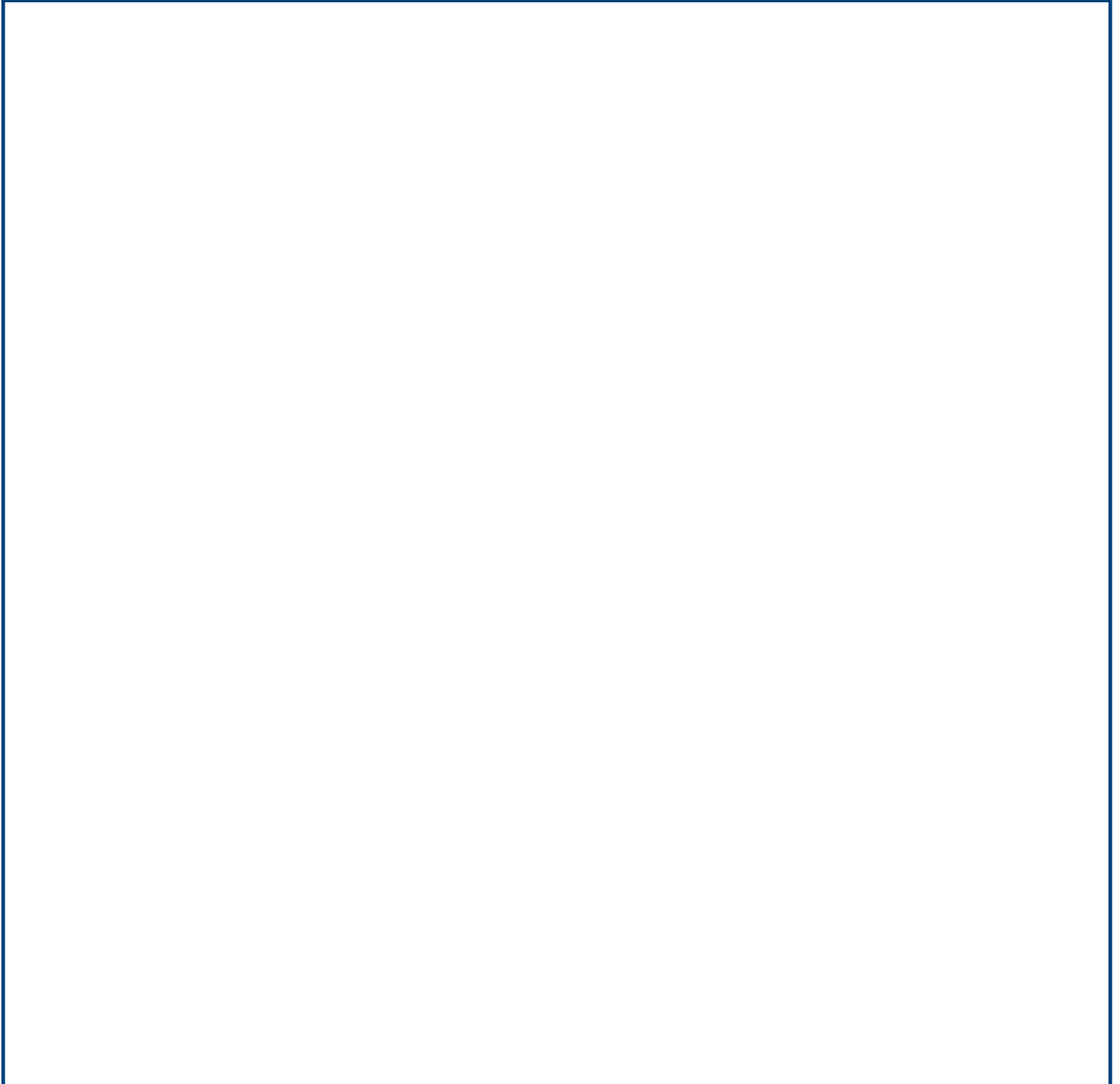


ÚZŮSŮPŮK NMRV-P-090-100-112B5

WIDOK 3D



ÖÖË ÒÁ/ÒÔÏ ÒÏË

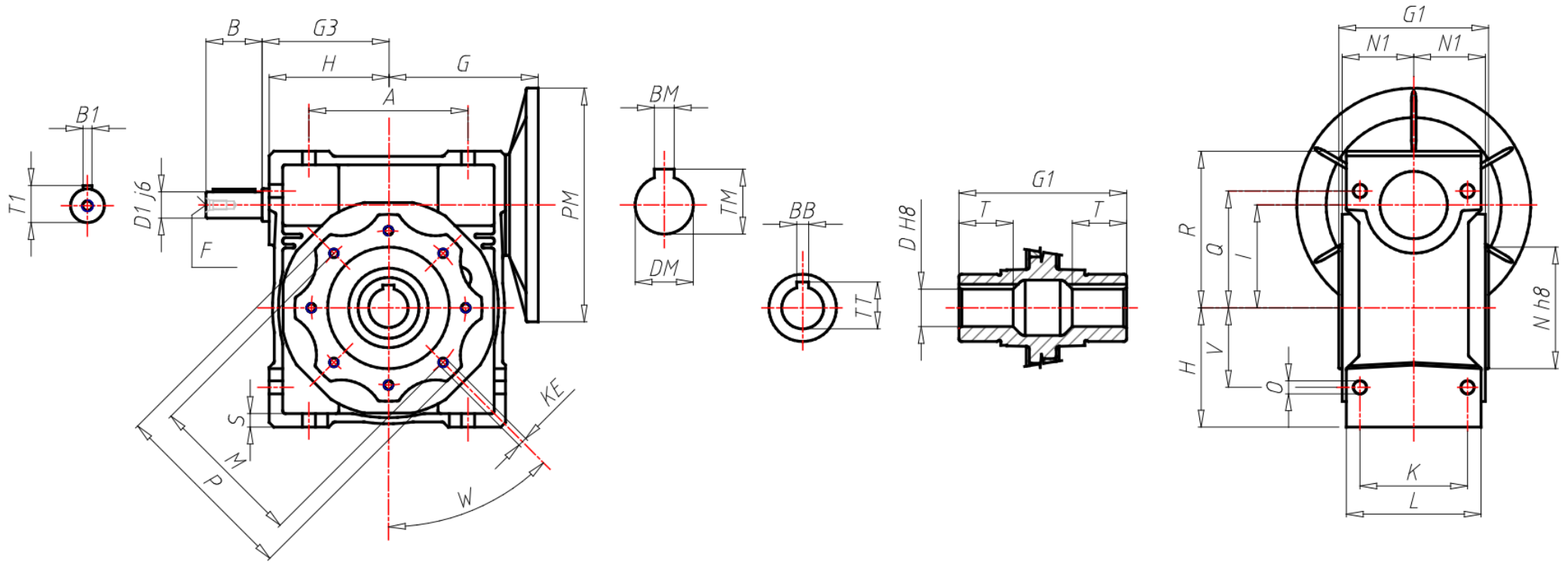
GR Size	090
RAP Ratio	Ï È LÁ-ELÁÍ LÁELÁÍ LÁEL
PAM Input PAM flange	100/112 B5 (250x28)
ACU Output hole shaft (d)	Ø35
VB Double input shaft	No
TFU Output flange	No
DFU Output flange dimension (d)	-
PFU Output flange position	-
AL Output shaft	No
PAL Output shaft position	-
BR Torque arm	No
PBR Torque arm position	-
CAP Cover	No
TIP Motor type	No
GRA Motor size	-
RAF Cooling	-
FC Motor execution	-
TF Break type	-
AF Brake power supply	-
COP Terminal box cover	-
CVE Fan cover	-
MOR Terminal box cover position	-
A	140
AC	-
B	-
BB	10
BM	8
BM1	-
B1	-
D	35
DM	28

ÖÖË ÒÁ/ÒÔË ÒËË

DM1	-
D1 j6	-
E	-
F	M8
FF	-
G	145
G1	140
G3	108
H	103
H1	103
I	90
K	100
KE	M10*18(8)
L	130
LB	-
LL	-
M	130
N	110
N1	67
O	13
P	160
PM	250
PM1	-
Q	102
R	144
S	11
S1	11
T	45
TM	31.3
TM1	-
TT	38.3

ÖÖË ÒÁÒÔÏ ÒÏË

T1	-
V	70
W	45°



ΑΕΣΟÏÛÛÛ

