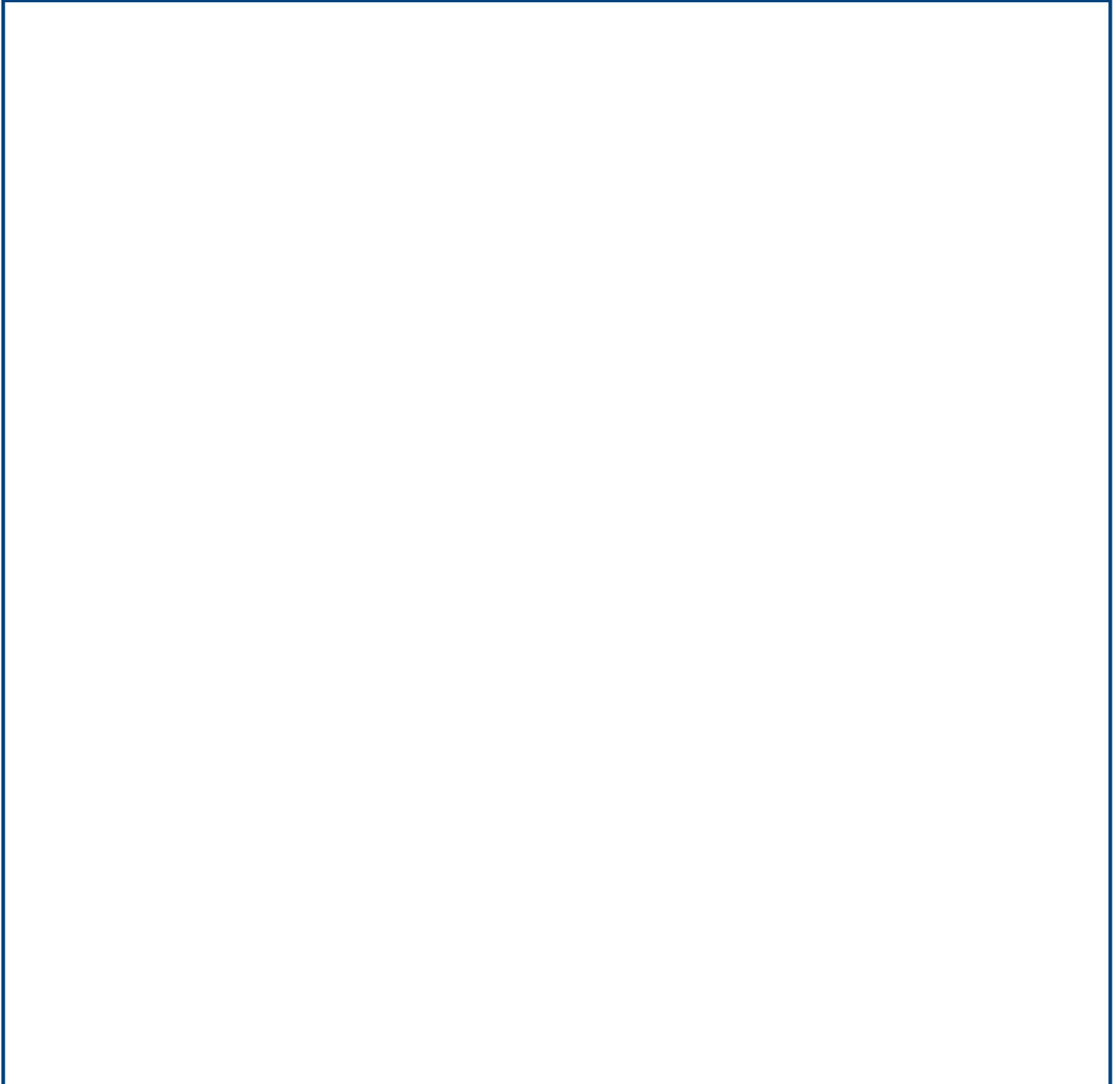


ÚZORSÝČEK NMRV-P-090-90B5

WIDOK 3D



ÖÖË ÒÁ/ÒÔÏ ÒÏË

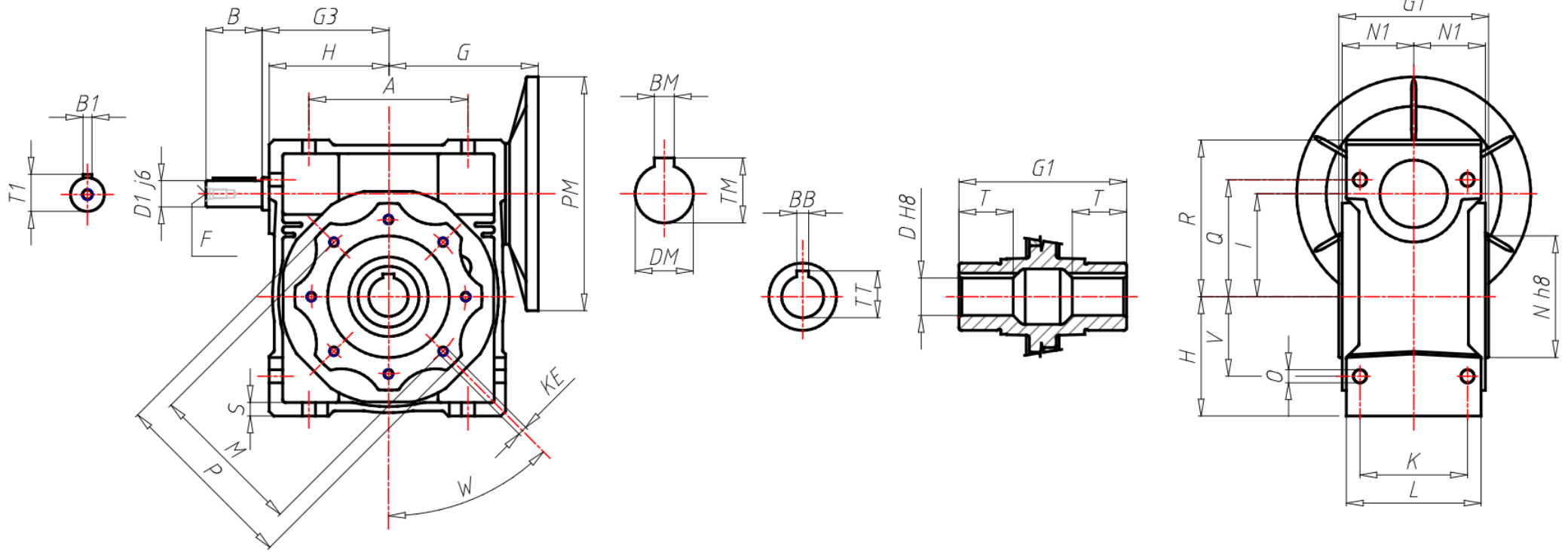
GR Size	090
RAP Ratio	ì È LÁ-ELÁÍ LÁELÁÍ LÁELÁ ELÁ ELÁ EL
PAM Input PAM flange	90 B5 (200x24)
ACU Output hole shaft (d)	Ø35
VB Double input shaft	No
TFU Output flange	No
DFU Output flange dimension (d)	-
PFU Output flange position	-
AL Output shaft	No
PAL Output shaft position	-
BR Torque arm	No
PBR Torque arm position	-
CAP Cover	No
TIP Motor type	No
GRA Motor size	-
RAF Cooling	-
FC Motor execution	-
TF Break type	-
AF Brake power supply	-
COP Terminal box cover	-
CVE Fan cover	-
MOR Terminal box cover position	-
A	140
AC	-
B	-
BB	10
BM	8
BM1	-
B1	-
D	35
DM	24

ÖÖË ÒÁ/ÒÔË ÒËË

DM1	-
D1 j6	-
E	-
F	M8
FF	-
G	145
G1	140
G3	108
H	103
H1	103
I	90
K	100
KE	M10*18(8)
L	130
LB	-
LL	-
M	130
N	110
N1	67
O	13
P	160
PM	200
PM1	-
Q	102
R	144
S	11
S1	11
T	45
TM	27.3
TM1	-
TT	38.3

ÖÖË ÒÁÒÔÏ ÒÏË

T1	-
V	70
W	45°



ΑΕΣΟÏÛÛÛ

