

ÖÖË ÒÁ/ÒÔÏ ÒÛÏ

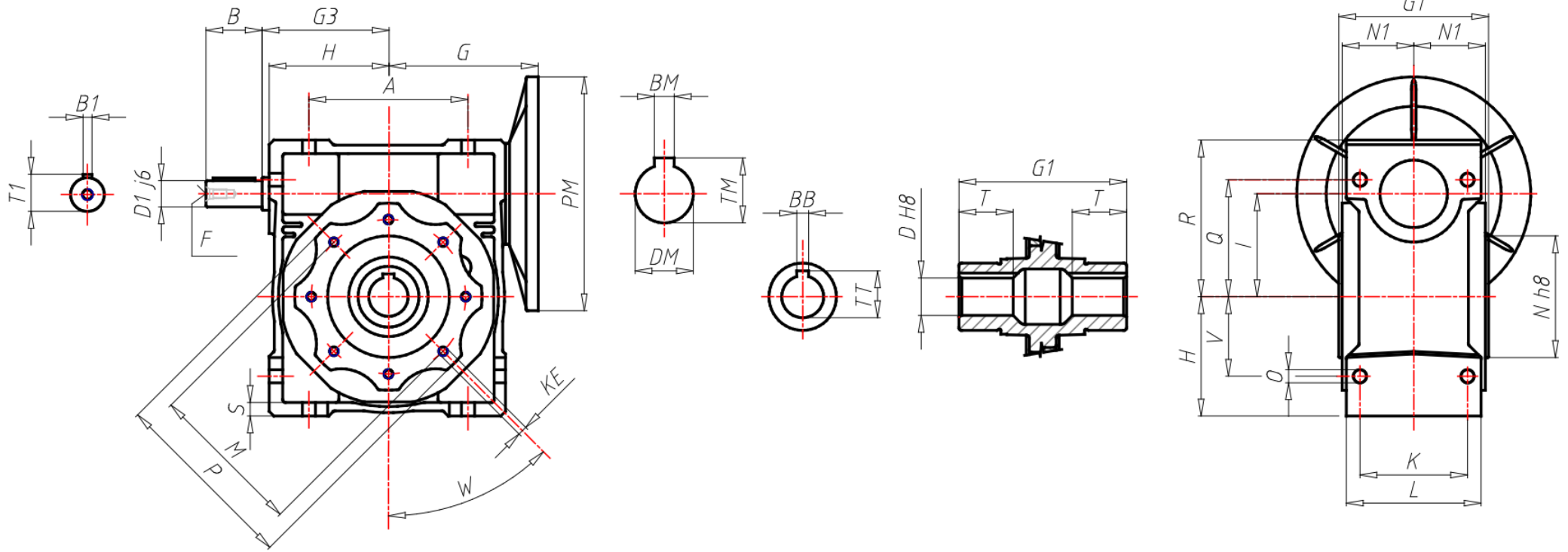
| | |
|---------------------------------|---|
| GR Size | 090 |
| RAP Ratio | 1 1.5 2 3 4 6 8 10 12 15 20 30 40 60 80 100 |
| PAM Input PAM flange | 80 B5 (200x19) |
| ACU Output hole shaft (d) | Ø35 |
| VB Double input shaft | No |
| TFU Output flange | No |
| DFU Output flange dimension (d) | - |
| PFU Output flange position | - |
| AL Output shaft | No |
| PAL Output shaft position | - |
| BR Torque arm | No |
| PBR Torque arm position | - |
| CAP Cover | No |
| TIP Motor type | No |
| GRA Motor size | - |
| RAF Cooling | - |
| FC Motor execution | - |
| TF Break type | - |
| AF Brake power supply | - |
| COP Terminal box cover | - |
| CVE Fan cover | - |
| MOR Terminal box cover position | - |
| A | 140 |
| AC | - |
| B | - |
| BB | 10 |
| BM | 6 |
| BM1 | - |
| B1 | - |
| D | 35 |
| DM | 19 |

ÖÖË ÒÁ/ÒÔÏ ÒÛË

| | |
|-------|-----------|
| DM1 | - |
| D1 j6 | - |
| E | - |
| F | M8 |
| FF | - |
| G | 145 |
| G1 | 140 |
| G3 | 108 |
| H | 103 |
| H1 | 103 |
| I | 90 |
| K | 100 |
| KE | M10*18(8) |
| L | 130 |
| LB | - |
| LL | - |
| M | 130 |
| N | 110 |
| N1 | 67 |
| O | 13 |
| P | 160 |
| PM | 200 |
| PM1 | - |
| Q | 102 |
| R | 144 |
| S | 11 |
| S1 | 11 |
| T | 45 |
| TM | 21.8 |
| TM1 | - |
| TT | 38.3 |

ÖÖË ÒÁÒÔÏ ÒÏË

| | |
|----|-----|
| T1 | - |
| V | 70 |
| W | 45° |



ΑΕΣΟÏÛÛÛ

