

ÖÖË ÒÁ/ÒÔÏ ÒÏË

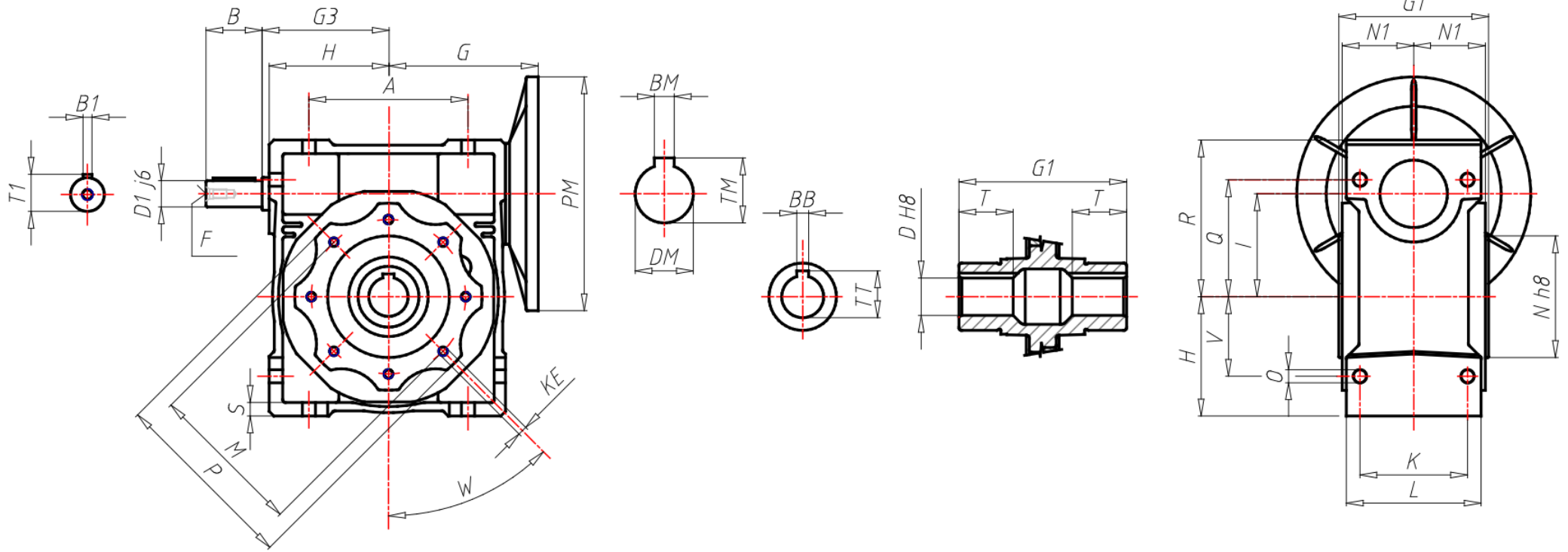
GR Size	075
RAP Ratio	Ï Ë ÌÁ-ËÁÍ ÌÁËÁÍ ÌÁËÁ Ë
PAM Input PAM flange	90 B14 (140x24)
ACU Output hole shaft (d)	Ø28
VB Double input shaft	No
TFU Output flange	No
DFU Output flange dimension (d)	-
PFU Output flange position	-
AL Output shaft	No
PAL Output shaft position	-
BR Torque arm	No
PBR Torque arm position	-
CAP Cover	No
TIP Motor type	No
GRA Motor size	-
RAF Cooling	-
FC Motor execution	-
TF Break type	-
AF Brake power supply	-
COP Terminal box cover	-
CVE Fan cover	-
MOR Terminal box cover position	-
A	120
AC	-
B	-
BB	8
BM	8
BM1	-
B1	-
D	28
DM	24

ÖÖË ÒÁ/ÒÔË ÒÛË

DM1	-
D1 j6	-
E	-
F	M8
FF	-
G	126.5
G1	120
G3	90
H	86
H1	89
I	75
K	90-95
KE	M8*14(8)
L	112
LB	-
LL	-
M	115
N	95
N1	57
O	11
P	131
PM	140
PM1	-
Q	93
R	123
S	10
S1	13
T	40
TM	27.3
TM1	-
TT	31.3

ÖÖË ÒÁÒÔÏ ÒÏ

T1	-
V	60
W	45°



ΑΕΣΟÏÛÛÛ

