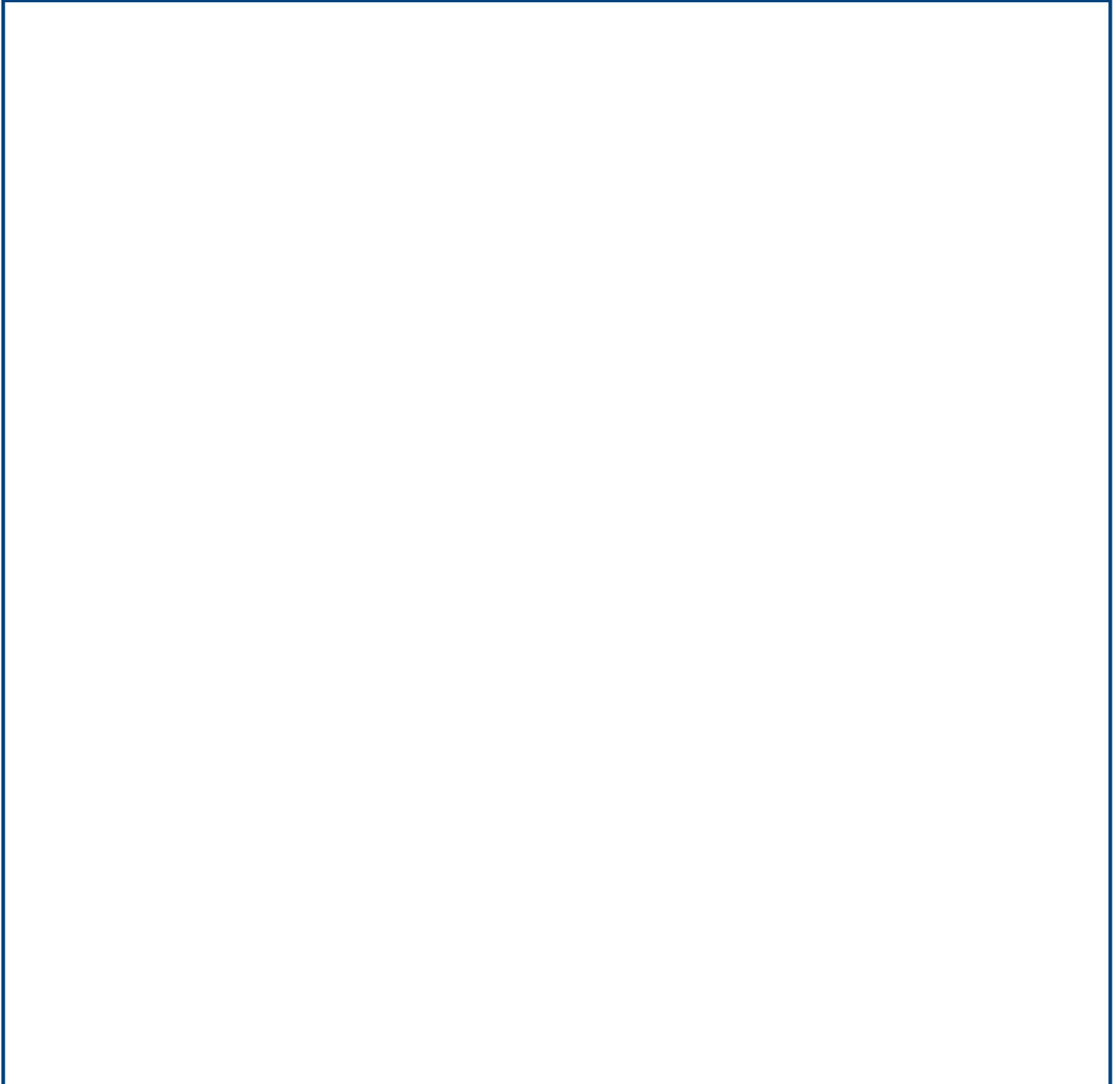


ÚÜZÒSýÖÞÖK NMRV-P-075-90B5

WIDOK 3D



ÖÖË ÒÁ/ÒÔÏ ÒÛÏ

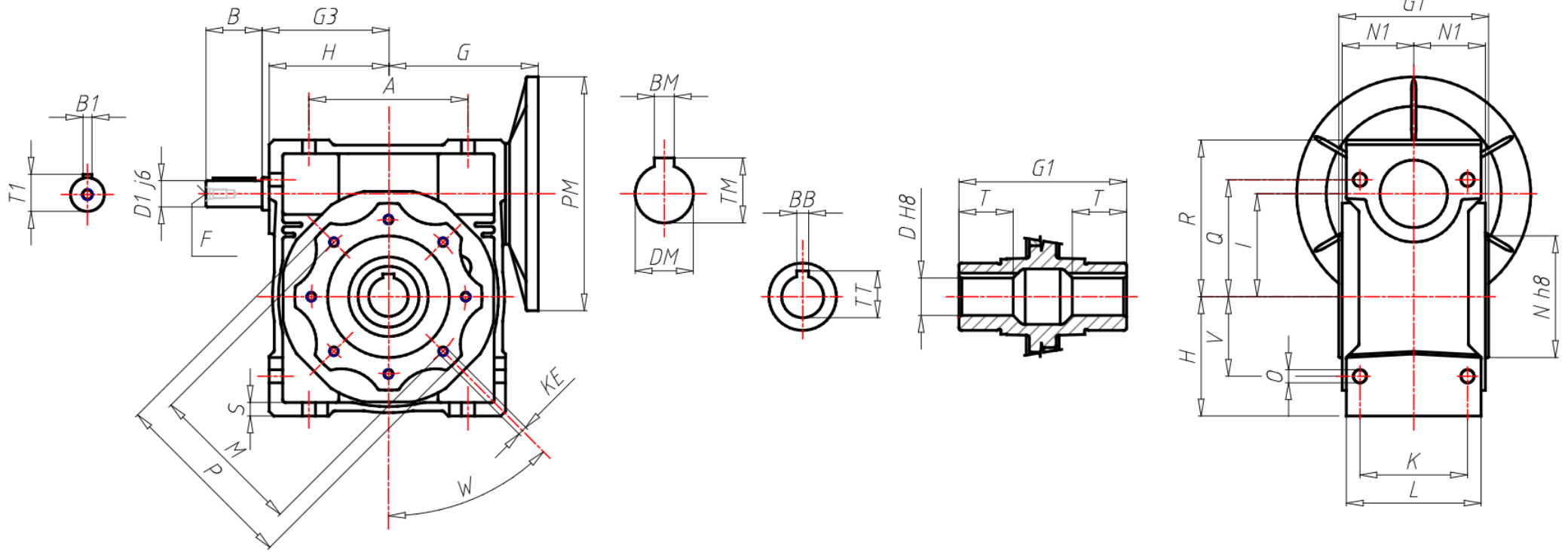
GR Size	075
RAP Ratio	Ï È LÁ-ELÁÍ LÁELÁÍ LÁELÁ EL
PAM Input PAM flange	90 B5 (200x24)
ACU Output hole shaft (d)	Ø28
VB Double input shaft	No
TFU Output flange	No
DFU Output flange dimension (d)	-
PFU Output flange position	-
AL Output shaft	No
PAL Output shaft position	-
BR Torque arm	No
PBR Torque arm position	-
CAP Cover	No
TIP Motor type	No
GRA Motor size	-
RAF Cooling	-
FC Motor execution	-
TF Break type	-
AF Brake power supply	-
COP Terminal box cover	-
CVE Fan cover	-
MOR Terminal box cover position	-
A	120
AC	-
B	-
BB	8
BM	8
BM1	-
B1	-
D	28
DM	24

ÖÖË ÒÁ/ÒÔË ÒËË

DM1	-
D1 j6	-
E	-
F	M8
FF	-
G	126.5
G1	120
G3	90
H	86
H1	89
I	75
K	90-95
KE	M8*14(8)
L	112
LB	-
LL	-
M	115
N	95
N1	57
O	11
P	131
PM	200
PM1	-
Q	93
R	123
S	10
S1	13
T	40
TM	27.3
TM1	-
TT	31.3

ÖÖË ÒÁÒÔÏ ÒÛÏ

T1	-
V	60
W	45°



ΑΕΣΟÏÛÛÛ

