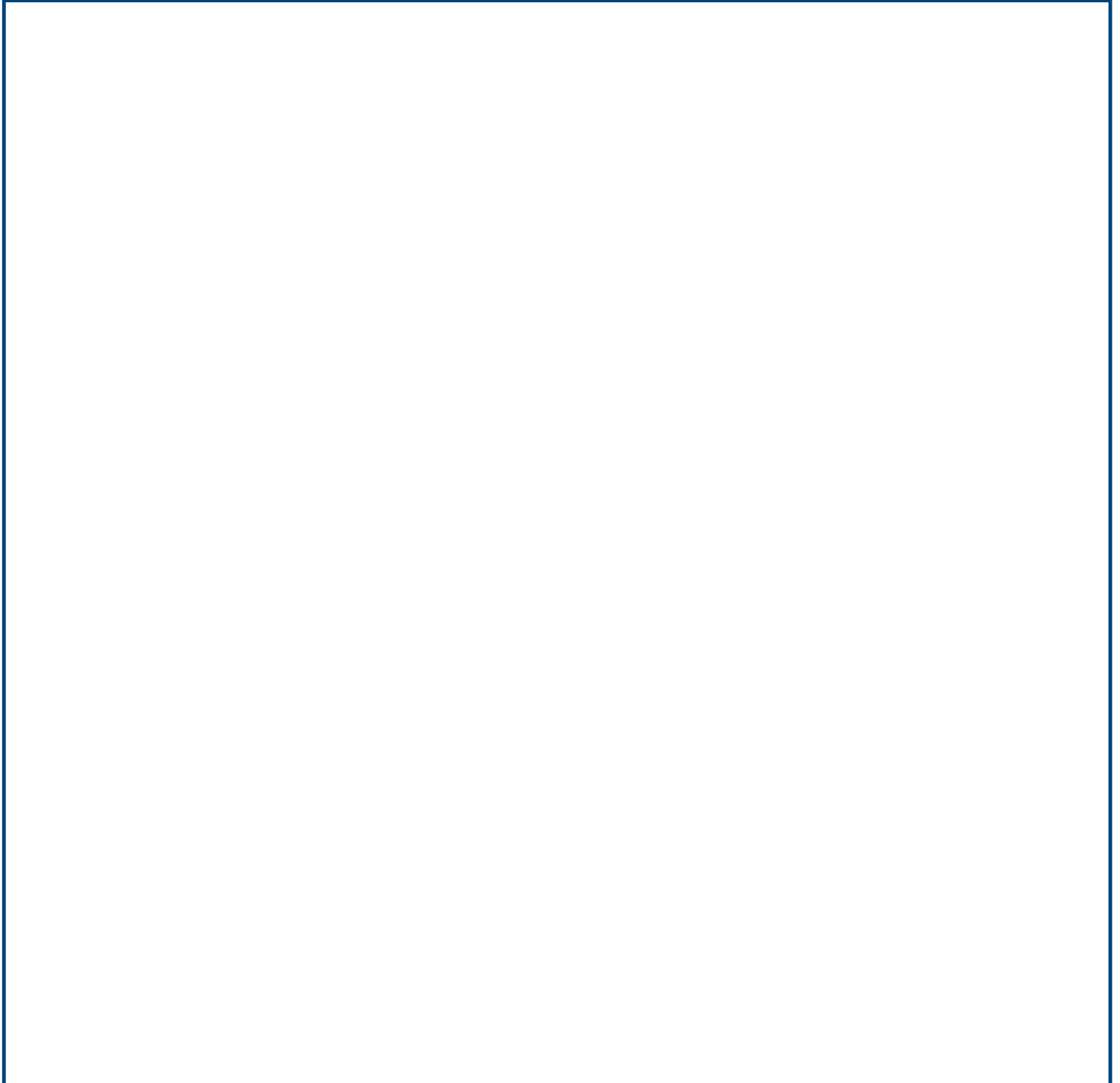


ÚZOSŮŮK NMRV-P-063-90B5

WIDOK 3D



ÖÖË ÒÁ/ÒÔÏ ÒÏË

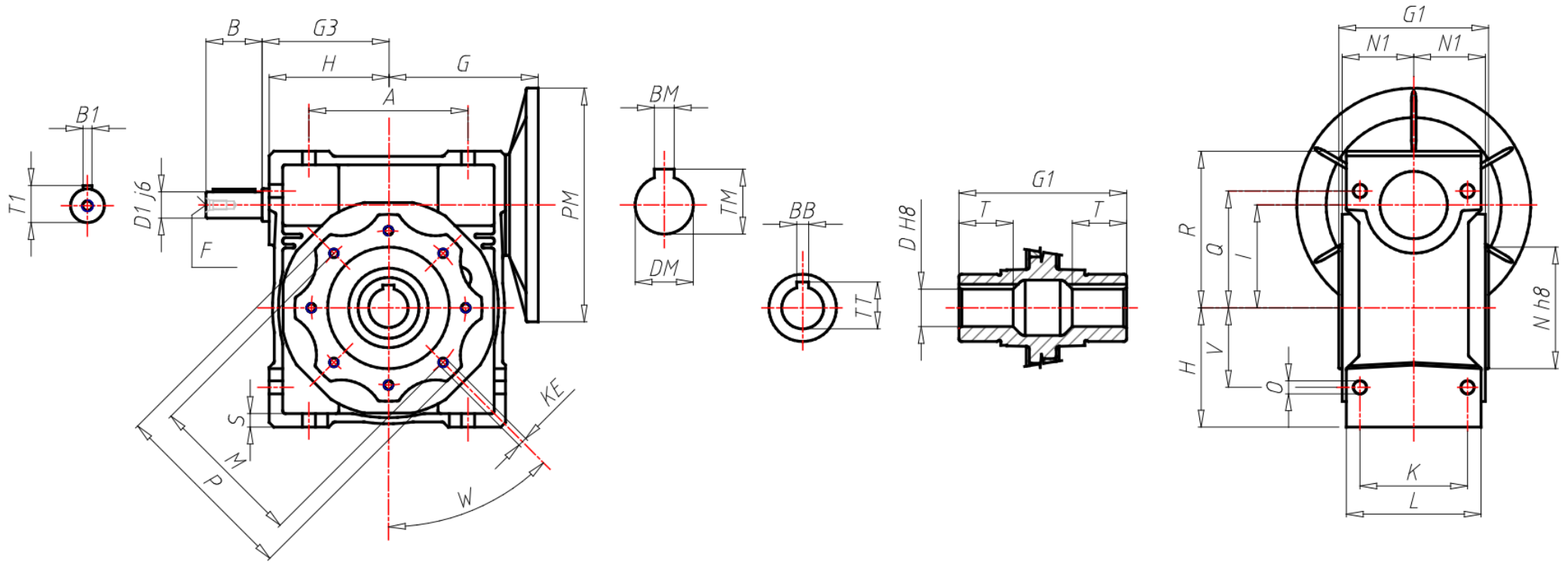
| | |
|---------------------------------|---------------------------|
| GR Size | 063 |
| RAP Ratio | Ï È LÁ-ELÁÍ LÁGELÁÍ LÁHEL |
| PAM Input PAM flange | 90 B5 (200x24) |
| ACU Output hole shaft (d) | Ø25 |
| VB Double input shaft | No |
| TFU Output flange | No |
| DFU Output flange dimension (d) | - |
| PFU Output flange position | - |
| AL Output shaft | No |
| PAL Output shaft position | - |
| BR Torque arm | No |
| PBR Torque arm position | - |
| CAP Cover | No |
| TIP Motor type | No |
| GRA Motor size | - |
| RAF Cooling | - |
| FC Motor execution | - |
| TF Break type | - |
| AF Brake power supply | - |
| COP Terminal box cover | - |
| CVE Fan cover | - |
| MOR Terminal box cover position | - |
| A | 100 |
| AC | - |
| B | - |
| BB | 8 |
| BM | 8 |
| BM1 | - |
| B1 | - |
| D | 25 |
| DM | 24 |

ÖÖË ÒÁ/ÒÔË ÒËË

| | |
|-------|----------|
| DM1 | - |
| D1 j6 | - |
| E | - |
| F | M6 |
| FF | - |
| G | 109 |
| G1 | 112 |
| G3 | 75 |
| H | 72 |
| H1 | 72 |
| I | 63 |
| K | 85 |
| KE | M8*14(8) |
| L | 103 |
| LB | - |
| LL | - |
| M | 95 |
| N | 80 |
| N1 | 53 |
| O | 8.5 |
| P | 110 |
| PM | 200 |
| PM1 | - |
| Q | 80 |
| R | 107 |
| S | 8 |
| S1 | 8 |
| T | 36 |
| TM | 27.3 |
| TM1 | - |
| TT | 28.3 |

ÖÖË ÒÁÒÔÏ ÒÛÏ

| | |
|----|-----|
| T1 | - |
| V | 50 |
| W | 45° |



ΑΕΣΟÏÛÛÛ

