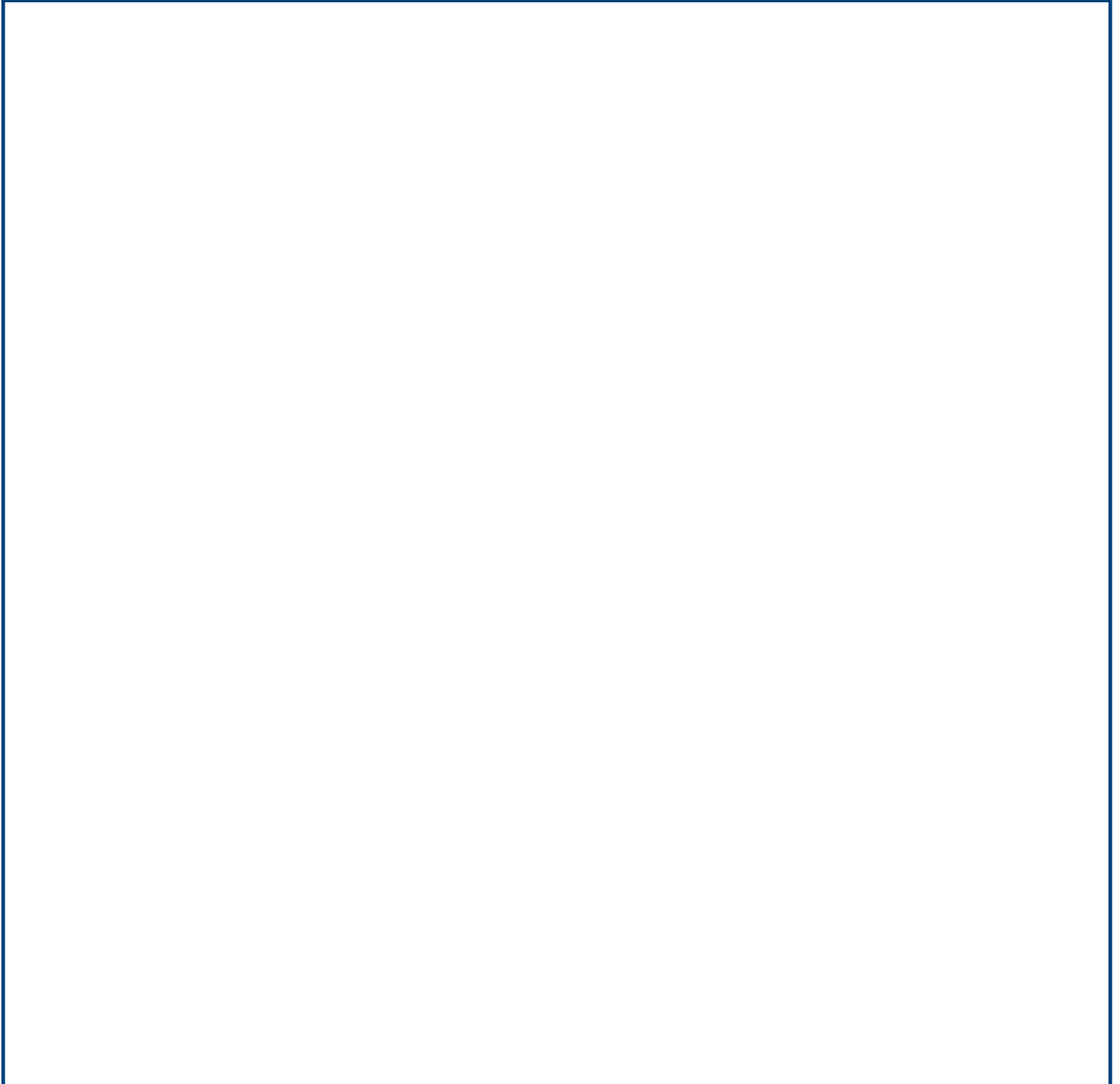


ÚÜZÒSýÖÞÖK NMRV-P-063-80B14

WIDOK 3D



ÖÖË ÒÁÒÔÏ ÒÏÏ

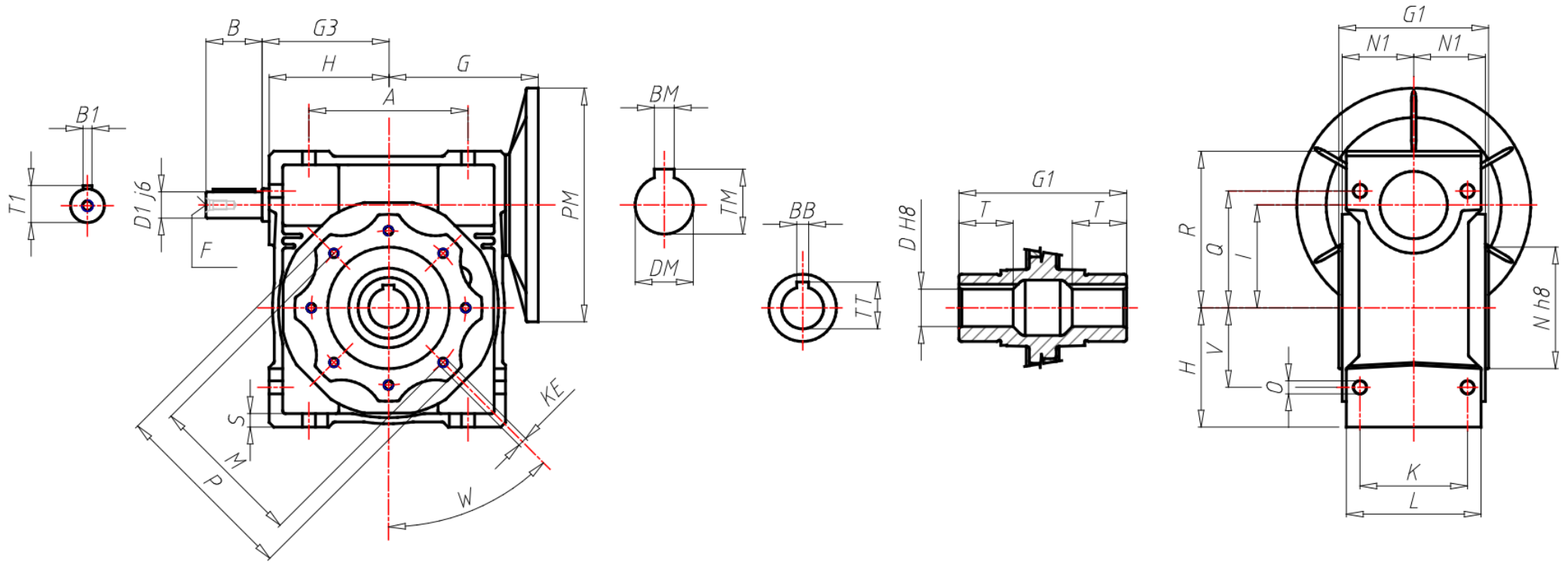
GR Size	063
RAP Ratio	Ï Ë ÌÁÉÁÉÁÉÁ ÉÁ ÉÁ É
PAM Input PAM flange	80 B14 (120x19)
ACU Output hole shaft (d)	Ø25
VB Double input shaft	No
TFU Output flange	No
DFU Output flange dimension (d)	-
PFU Output flange position	-
AL Output shaft	No
PAL Output shaft position	-
BR Torque arm	No
PBR Torque arm position	-
CAP Cover	No
TIP Motor type	No
GRA Motor size	-
RAF Cooling	-
FC Motor execution	-
TF Break type	-
AF Brake power supply	-
COP Terminal box cover	-
CVE Fan cover	-
MOR Terminal box cover position	-
A	100
AC	-
B	-
BB	8
BM	6
BM1	-
B1	-
D	25
DM	19

ÖÖË ÒÁ/ÒÔÏ ÒÛË

DM1	-
D1 j6	-
E	-
F	M6
FF	-
G	109
G1	112
G3	75
H	72
H1	72
I	63
K	85
KE	M8*14(8)
L	103
LB	-
LL	-
M	95
N	80
N1	53
O	8.5
P	110
PM	120
PM1	-
Q	80
R	107
S	8
S1	8
T	36
TM	21.8
TM1	-
TT	28.3

ÖÖË ÒÁÒÔÏ ÒÏ

T1	-
V	50
W	45°



ΑΕΣΟÏÏÛÛÏ

