

PRODUCT DESCRIPTION:

Worm gear reducer

PRODUCT TYPE: NRVP

CONFIGURATION & DIMENSIONAL VALUES

GR Size	090
RAP Ratio	7.5
ENTRNRV Input shaft (d*l)	24x50
ACU Output hole shaft (d)	Ø35
VB Double input shaft	No
TFU Output flange dimension (d)	No
DFU Output flange dimension (d)	-
PFU Output flange position	-
AL Output shaft	No
PAL Output shaft position	-
BR Torque arm	No
PBR Torque arm position	-
CAP Cover	No
A	140
B	50
BB	10
B1	8
D	35
D1 j6	24
F	M8
G1	140
G2	125
G3	108
H	103
I	90
K	100
KE	M10*18(8)
L	130
M	130
N	110
N1	67

PRODUCT DRAWING RELEASE

Last Modification (geometry): 17/06/2010 00:00

Datasheet creation date: 01/07/2015 20:10

PRODUCT DESCRIPTION:

Worm gear reducer

PRODUCT TYPE: NRVP

CONFIGURATION & DIMENSIONAL VALUES

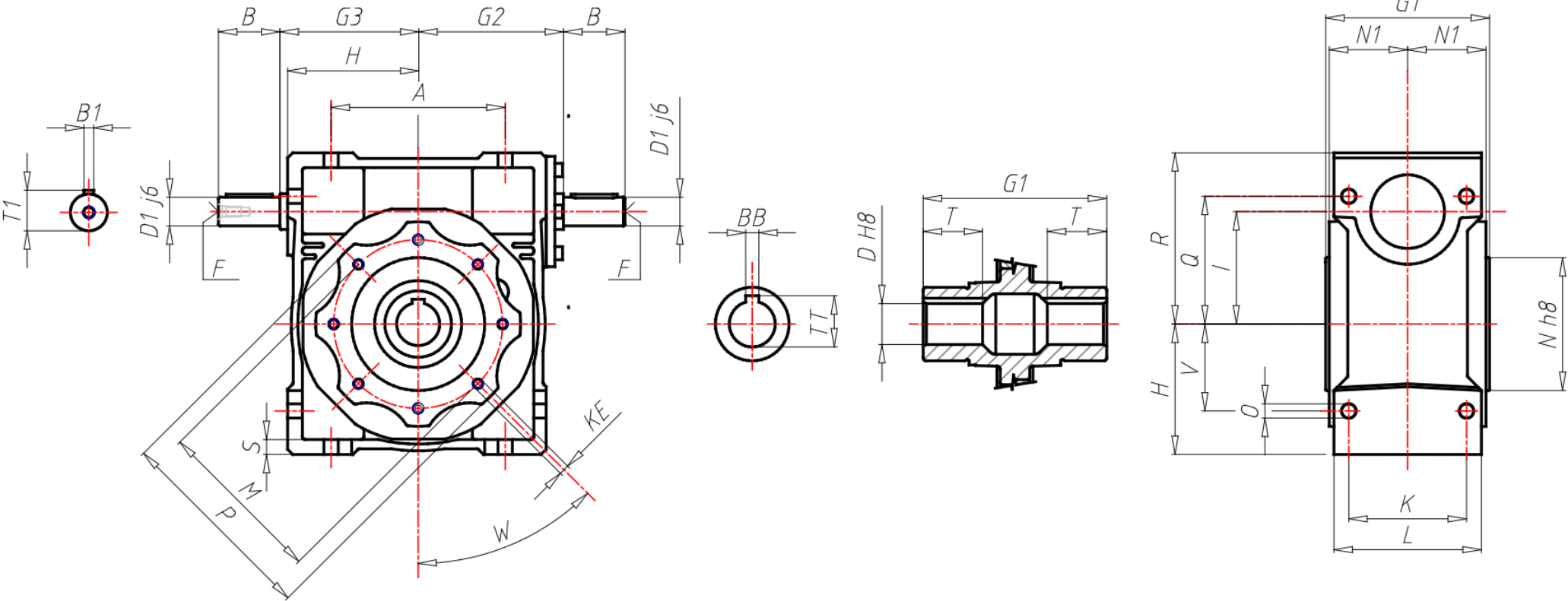
O	13	
P	160	
Q	102	
R	144	
S	11	
S1	11	
T	45	
TT	38.3	
T1	27	
V	70	
W	45°	

PRODUCT DRAWING RELEASE

Last Modification (geometry): 17/06/2010 00:00

Datasheet creation date: 01/07/2015 20:10

2D VIEW PRA

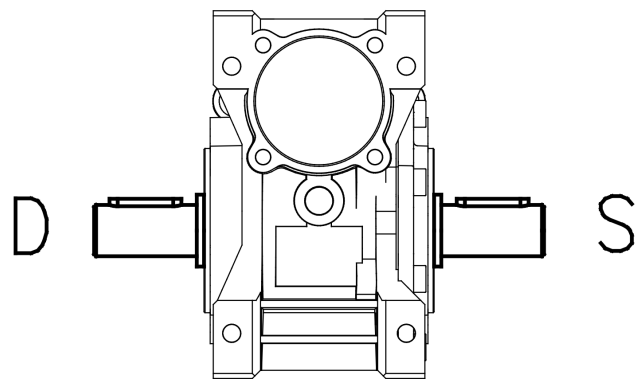
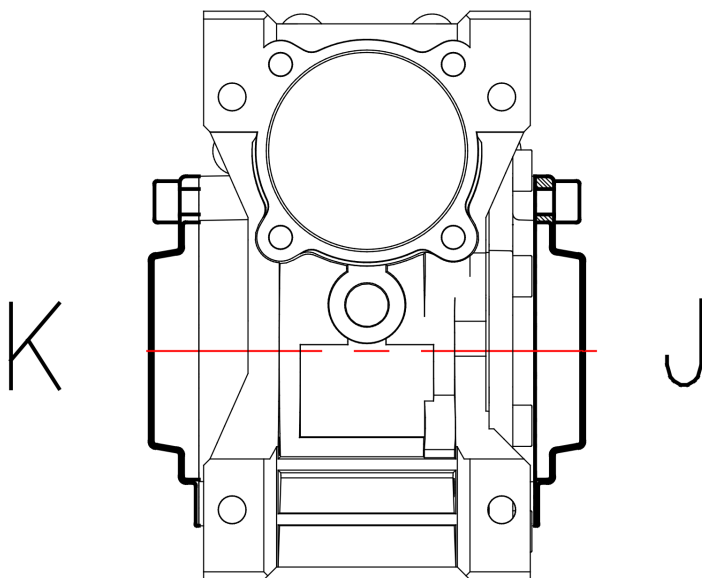
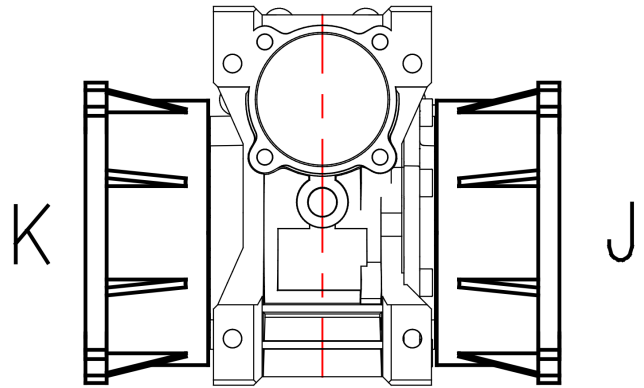
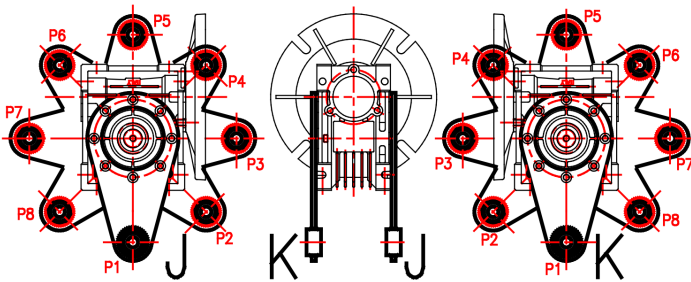


PRODUCT DESCRIPTION:

Worm gear reducer

PRODUCT TYPE: NRVP

2D VIEW ACCESSORIES



PRODUCT DRAWING RELEASE

Last Modification (geometry): 17/06/2010 00:00

Datasheet creation date: 01/07/2015 20:10