



## PRODUCT DESCRIPTION:

Worm gear reducer

**PRODUCT TYPE:** NRVP

## CONFIGURATION & DIMENSIONAL VALUES

GR Size	075
RAP Ratio	7.5
ENTRNRV Input shaft (d*I)	24x50
ACU Output hole shaft (d)	Ø28
VB Double input shaft	No
TFU Output flange dimension (d)	No
DFU Output flange dimension (d)	-
PFU Output flange position	-
AL Output shaft	No
PAL Output shaft position	-
BR Torque arm	No
PBR Torque arm position	-
CAP Cover	No
A	120
B	50
BB	8
B1	8
D	28
D1 j6	24
F	M8
G1	120
G2	105
G3	90
H	86
I	75
K	90-95
KE	M8*14(8)
L	112
M	115
N	95
N1	57

## PRODUCT DRAWING RELEASE

Last Modification (geometry): 17/06/2010 00:00

Datasheet creation date: 05/06/2015 14:36

## PRODUCT DESCRIPTION:

Worm gear reducer

**PRODUCT TYPE:** NRVP

## CONFIGURATION & DIMENSIONAL VALUES

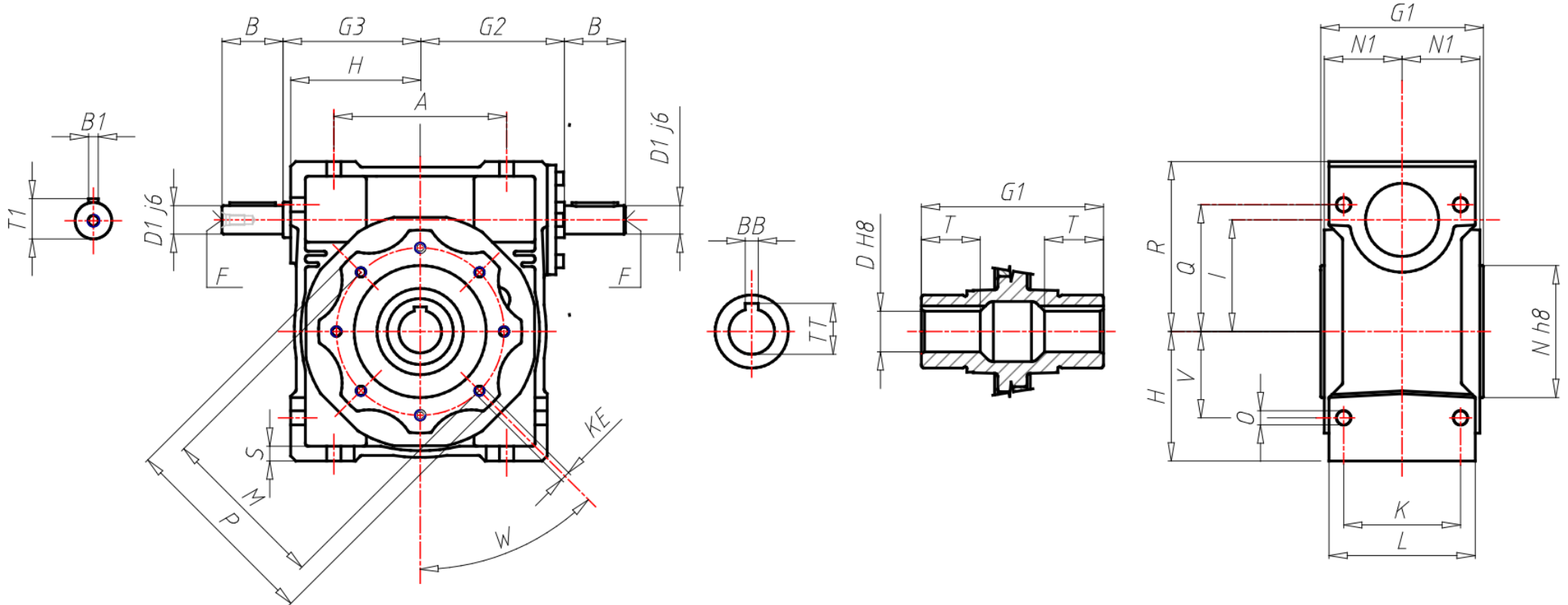
<b>O</b>	11	
<b>P</b>	131	
<b>Q</b>	93	
<b>R</b>	123	
<b>S</b>	10	
<b>S1</b>	13	
<b>T</b>	40	
<b>TT</b>	31.3	
<b>T1</b>	27	
<b>V</b>	60	
<b>W</b>	45°	

## PRODUCT DRAWING RELEASE

Last Modification (geometry): 17/06/2010 00:00

Datasheet creation date: 05/06/2015 14:36

# 2D VIEW PRA

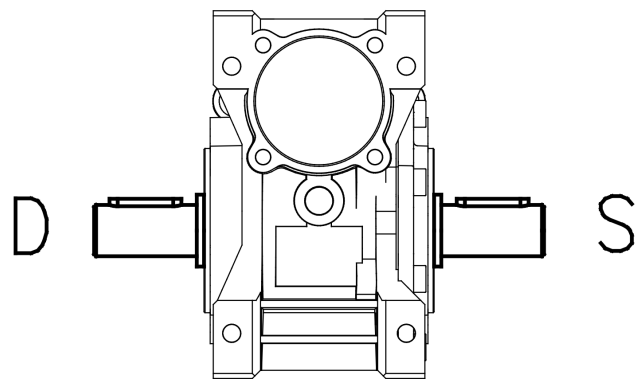
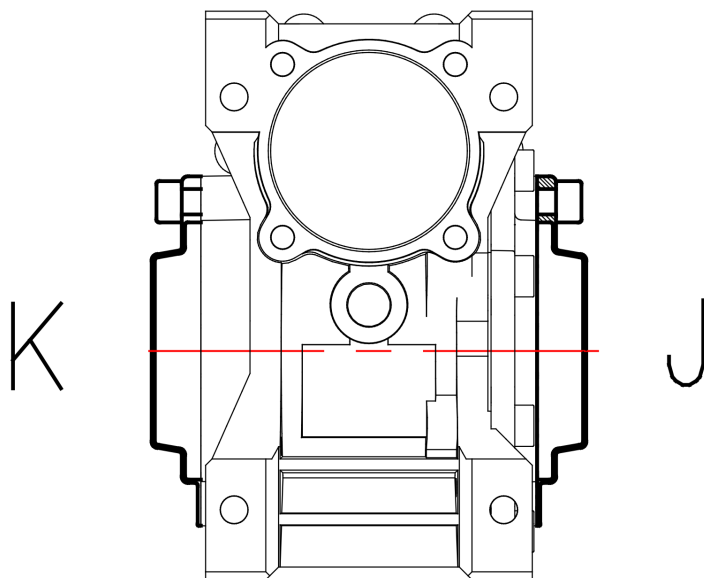
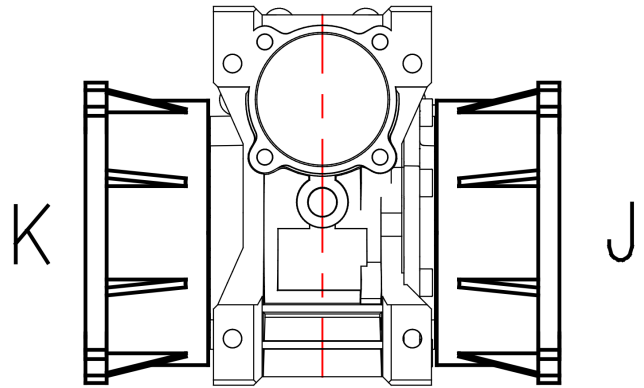
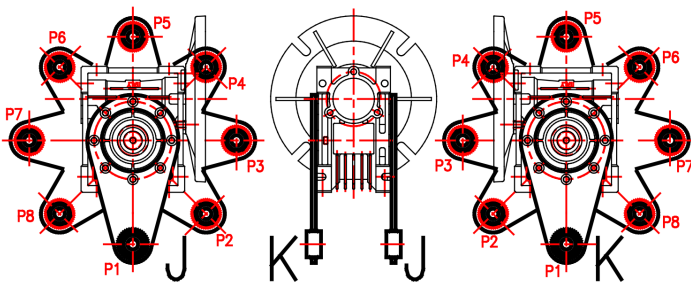


# PRODUCT DESCRIPTION:

Worm gear reducer

## PRODUCT TYPE: NRVP

## 2D VIEW ACCESSORIES



## PRODUCT DRAWING RELEASE

Last Modification (geometry): 17/06/2010 00:00

Datasheet creation date: 05/06/2015 14:36