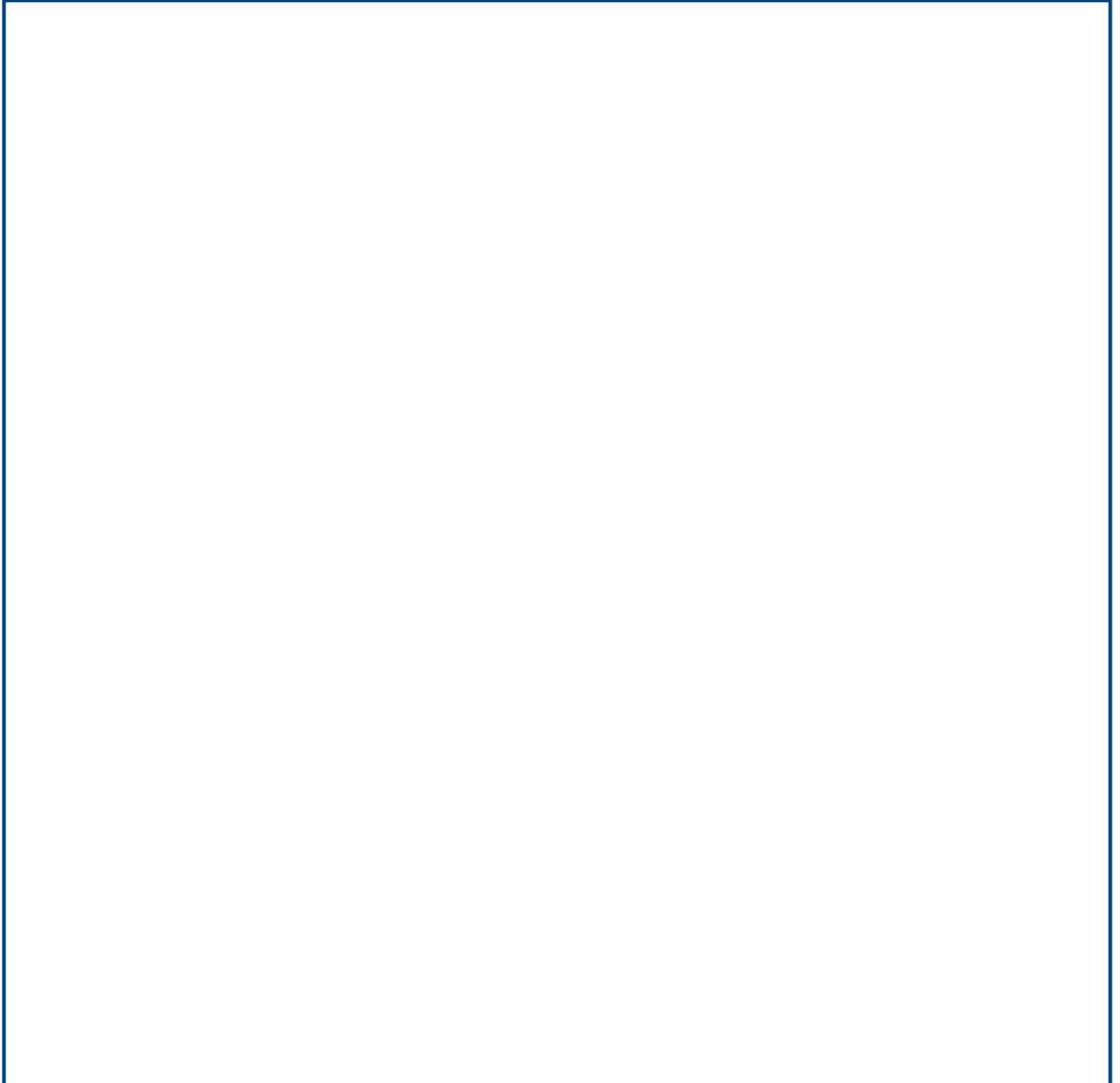


ÚZORSY ÖPÖKÉ NRVP Power - 063

WIDOK 3D



PRODUCT DRAWING RELEASE

Last Modification (geometry): 17/06/2010 00:00
Datasheet creation date: 01/07/2015 20:06

PRODUCT DESCRIPTION:

Worm gear reducer

PRODUCT TYPE: NRVP

CONFIGURATION & DIMENSIONAL VALUES

GR Size	063
RAP Ratio	7.5
ENTRNRV Input shaft (d*l)	19x40
ACU Output hole shaft (d)	Ø25
VB Double input shaft	No
TFU Output flange dimension (d)	No
DFU Output flange dimension (d)	-
PFU Output flange position	-
AL Output shaft	No
PAL Output shaft position	-
BR Torque arm	No
PBR Torque arm position	-
CAP Cover	No
A	100
B	40
BB	8
B1	6
D	25
D1 j6	19
F	M6
G1	112
G2	90
G3	75
H	72
I	63
K	85
KE	M8*14(8)
L	103
M	95
N	80
N1	53

PRODUCT DRAWING RELEASE

Last Modification (geometry): 17/06/2010 00:00

Datasheet creation date: 01/07/2015 20:06

PRODUCT DESCRIPTION:

Worm gear reducer

PRODUCT TYPE: NRVP

CONFIGURATION & DIMENSIONAL VALUES

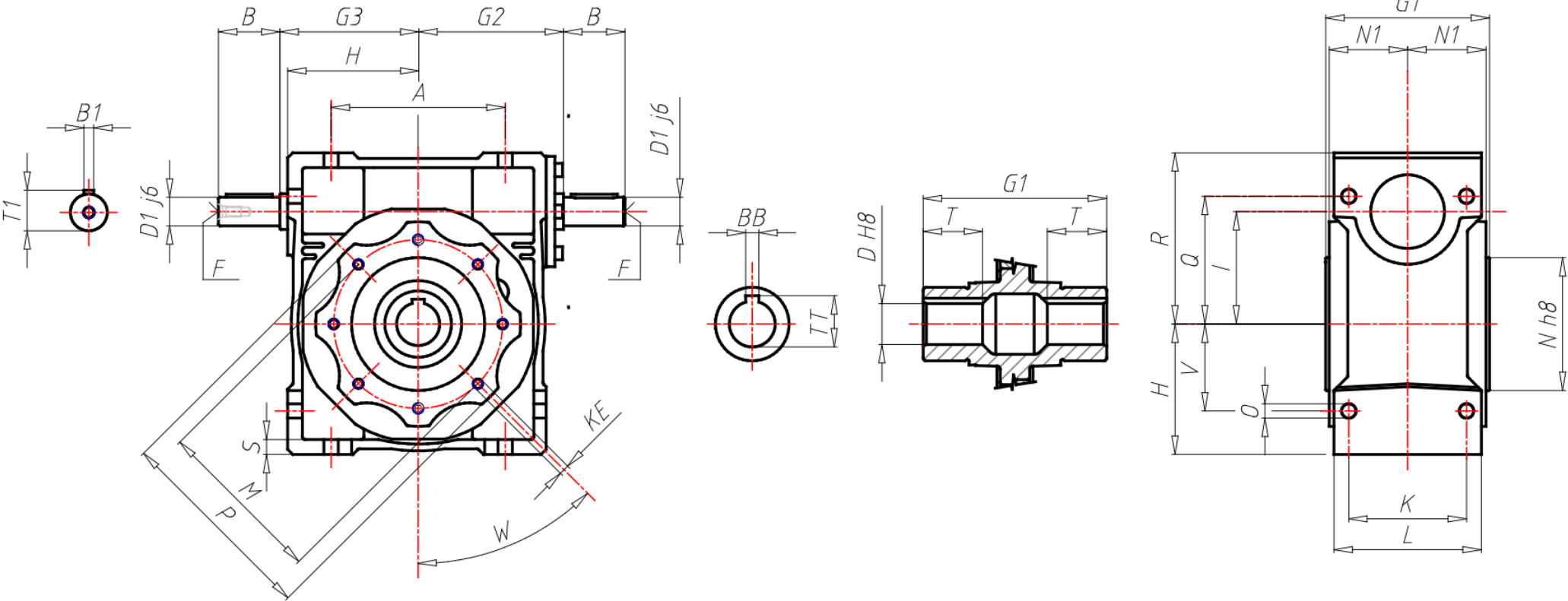
O	8.5
P	110
Q	80
R	107
S	8
S1	8
T	36
TT	28.3
T1	21.5
V	50
W	45°

PRODUCT DRAWING RELEASE

Last Modification (geometry): 17/06/2010 00:00

Datasheet creation date: 01/07/2015 20:06

2D VIEW PRA

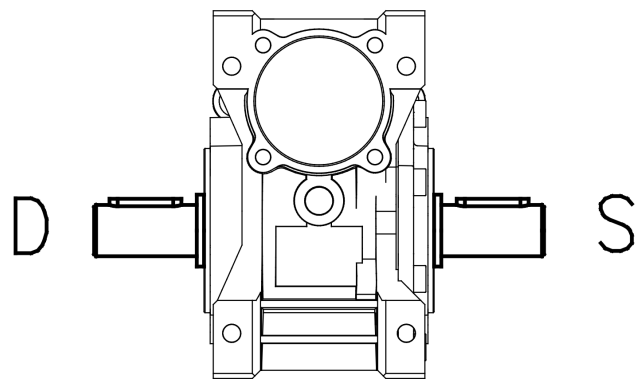
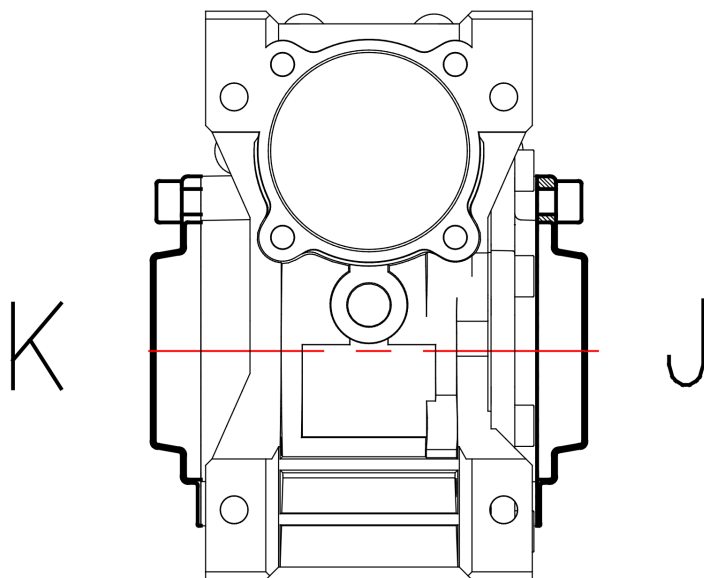
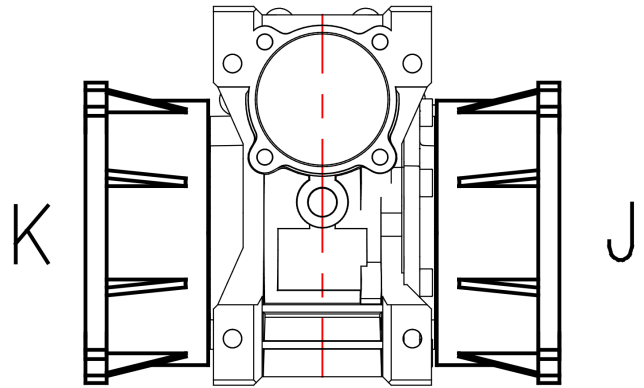
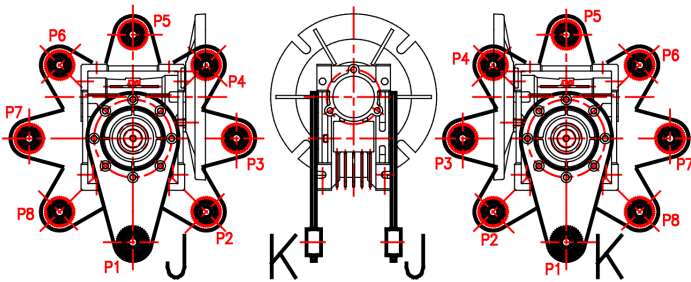


PRODUCT DESCRIPTION:

Worm gear reducer

PRODUCT TYPE: NRVP

2D VIEW ACCESSORIES



PRODUCT DRAWING RELEASE

Last Modification (geometry): 17/06/2010 00:00

Datasheet creation date: 01/07/2015 20:06