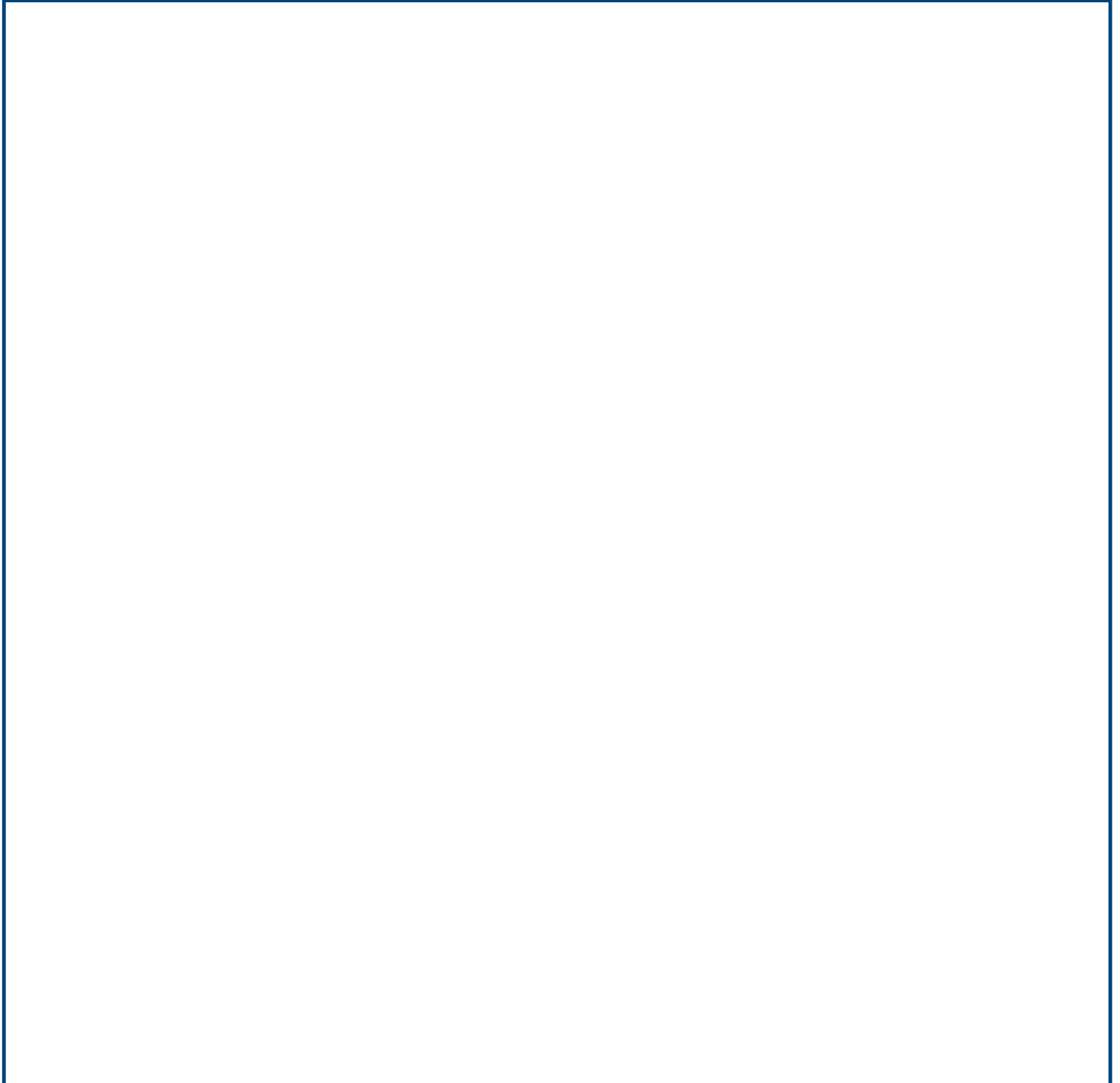


ÚZORSY ČERTEŽNÝCH KRESLENÍ NR. V-150

WIDOK 3D



PRODUCT DRAWING RELEASE

Last Modification (geometry): 28/08/2009 00:00

Datasheet creation date: 21/06/2015 11:04

PRODUCT DESCRIPTION:

Worm reduction unit with input shaft

PRODUCT TYPE: NRV

CONFIGURATION & DIMENSIONAL VALUES

GR Size	150
RAP Ratio	7.5
ENTRNRV Input shaft (d*I)	35x80
ACU Output hole shaft (d)	50
VB Double input shaft	NO
TFU Output flange dimension (d)	NO
DFU Output flange dimension (d)	-
PFU Output flange position	-
AL Output hole shaft (d)	NO
PAL Output shaft position gear unit 2	-
BR Torque arm	NO
PBR Torque arm position	-
CAP Cover	NO
A	240
B	80
BB	14
B1	10
D	50
D1	35
F	M12
G1	200
G2	195
G3	175
H	170
I	150
K	145
KE	M12*21(8)
L	185
M	215
N	180
N1	96

PRODUCT DRAWING RELEASE

Last Modification (geometry): 28/08/2009 00:00

Datasheet creation date: 21/06/2015 11:04

PRODUCT DESCRIPTION:

Worm reduction unit with input shaft

PRODUCT TYPE: NRV

CONFIGURATION & DIMENSIONAL VALUES

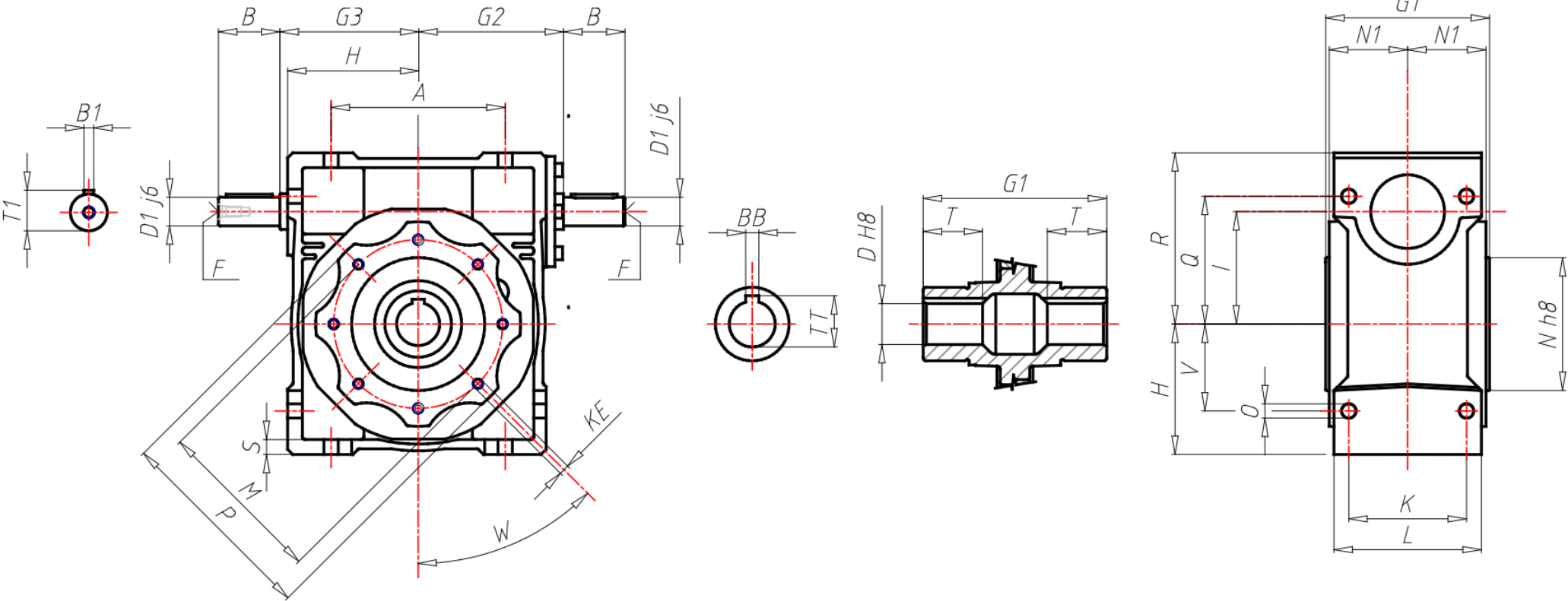
O	18
P	250
Q	180
R	230
S	18
T	72.5
TT	53.8
T1	38
V	120
W	45°

PRODUCT DRAWING RELEASE

Last Modification (geometry): 28/08/2009 00:00

Datasheet creation date: 21/06/2015 11:04

2D VIEW PRA

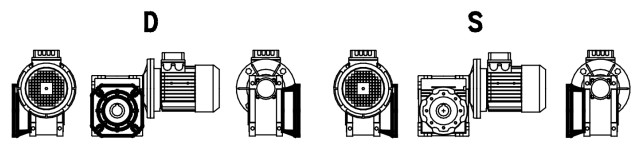
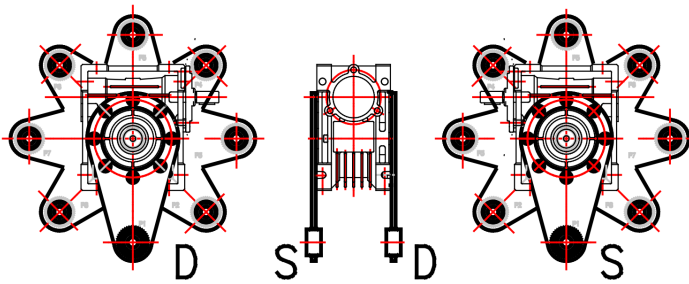


PRODUCT DESCRIPTION:

Worm reduction unit with input shaft

PRODUCT TYPE: NRV

2D VIEW ACCESSORIES



PRODUCT DRAWING RELEASE

Last Modification (geometry): 28/08/2009 00:00

Datasheet creation date: 21/06/2015 11:04