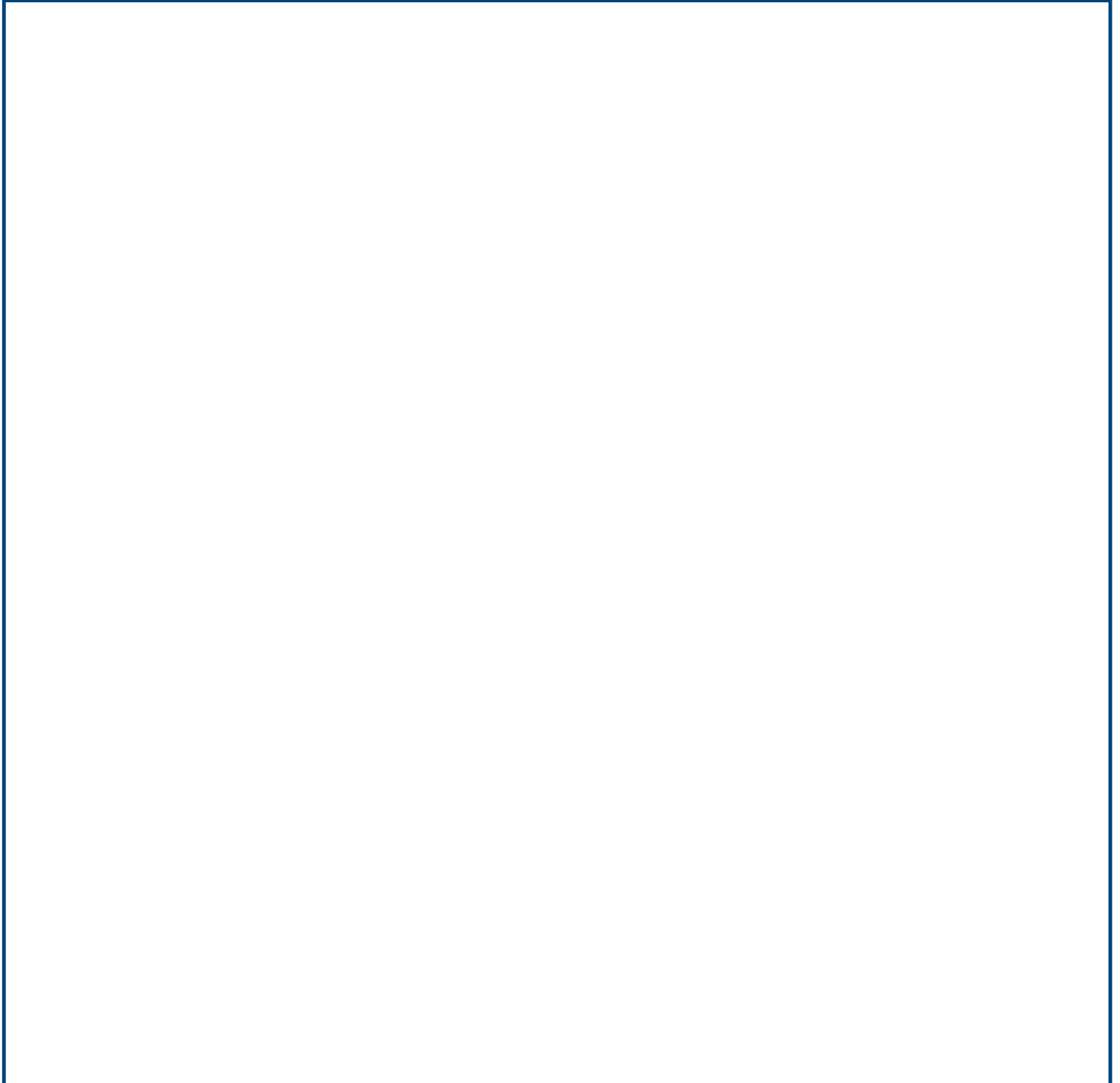


ÜZÖSÝÖPÖÁPÜXËJ€Á

ÜZÖSÝÖPÖÁPÜXËJ€Á

### WIDOK 3D



### PRODUCT DRAWING RELEASE

Last Modification (geometry): 28/08/2009 00:00  
Datasheet creation date: 01/07/2015 13:19

## PRODUCT DESCRIPTION:

Worm reduction unit with input shaft

**PRODUCT TYPE:** NRV

## CONFIGURATION & DIMENSIONAL VALUES

GR Size	090
RAP Ratio	7.5
ENTRNRV Input shaft (d*l)	24x50
ACU Output hole shaft (d)	35
VB Double input shaft	VS24x50
TFU Output flange dimension (d)	NO
DFU Output flange dimension (d)	-
PFU Output flange position	-
AL Output hole shaft (d)	NO
PAL Output shaft position gear unit 2	-
BR Torque arm	NO
PBR Torque arm position	-
CAP Cover	NO
A	140
B	50
BB	10
B1	8
D	35(38)
D1	24
F	M8
G1	140
G2	125
G3	108
H	103
I	90
K	100
KE	M10*18(8)
L	130
M	130
N	110
N1	67

## PRODUCT DRAWING RELEASE

Last Modification (geometry): 28/08/2009 00:00

Datasheet creation date: 01/07/2015 13:19

## PRODUCT DESCRIPTION:

Worm reduction unit with input shaft

**PRODUCT TYPE:** NRV

## CONFIGURATION & DIMENSIONAL VALUES

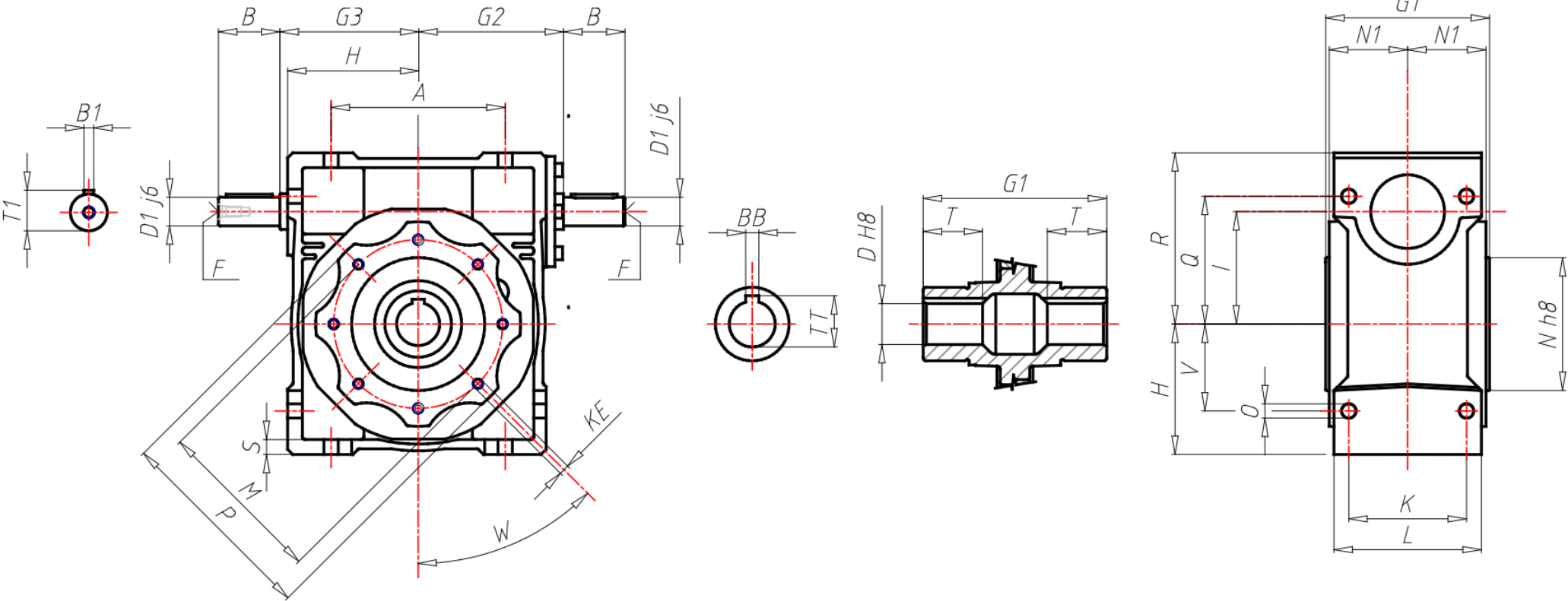
<b>O</b>	13
<b>P</b>	160
<b>Q</b>	102
<b>R</b>	135
<b>S</b>	11
<b>T</b>	45
<b>TT</b>	38.3(41.3)
<b>T1</b>	27
<b>V</b>	70
<b>W</b>	45°

## PRODUCT DRAWING RELEASE

Last Modification (geometry): 28/08/2009 00:00

Datasheet creation date: 01/07/2015 13:19

# 2D VIEW PRA

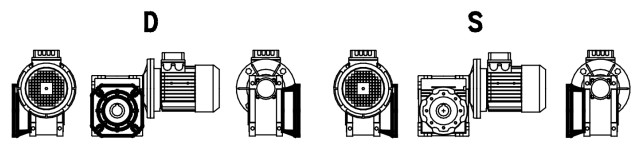
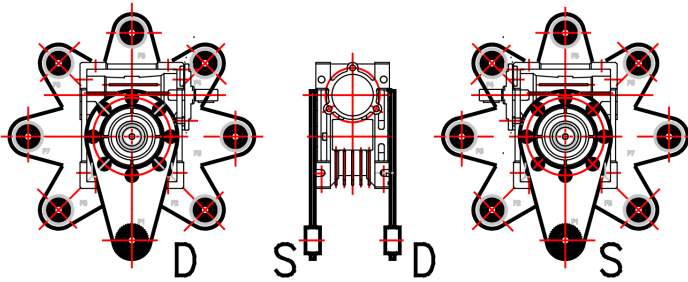


# PRODUCT DESCRIPTION:

Worm reduction unit with input shaft

## PRODUCT TYPE: NRV

## 2D VIEW ACCESSORIES



## PRODUCT DRAWING RELEASE

Last Modification (geometry): 28/08/2009 00:00

Datasheet creation date: 01/07/2015 13:19