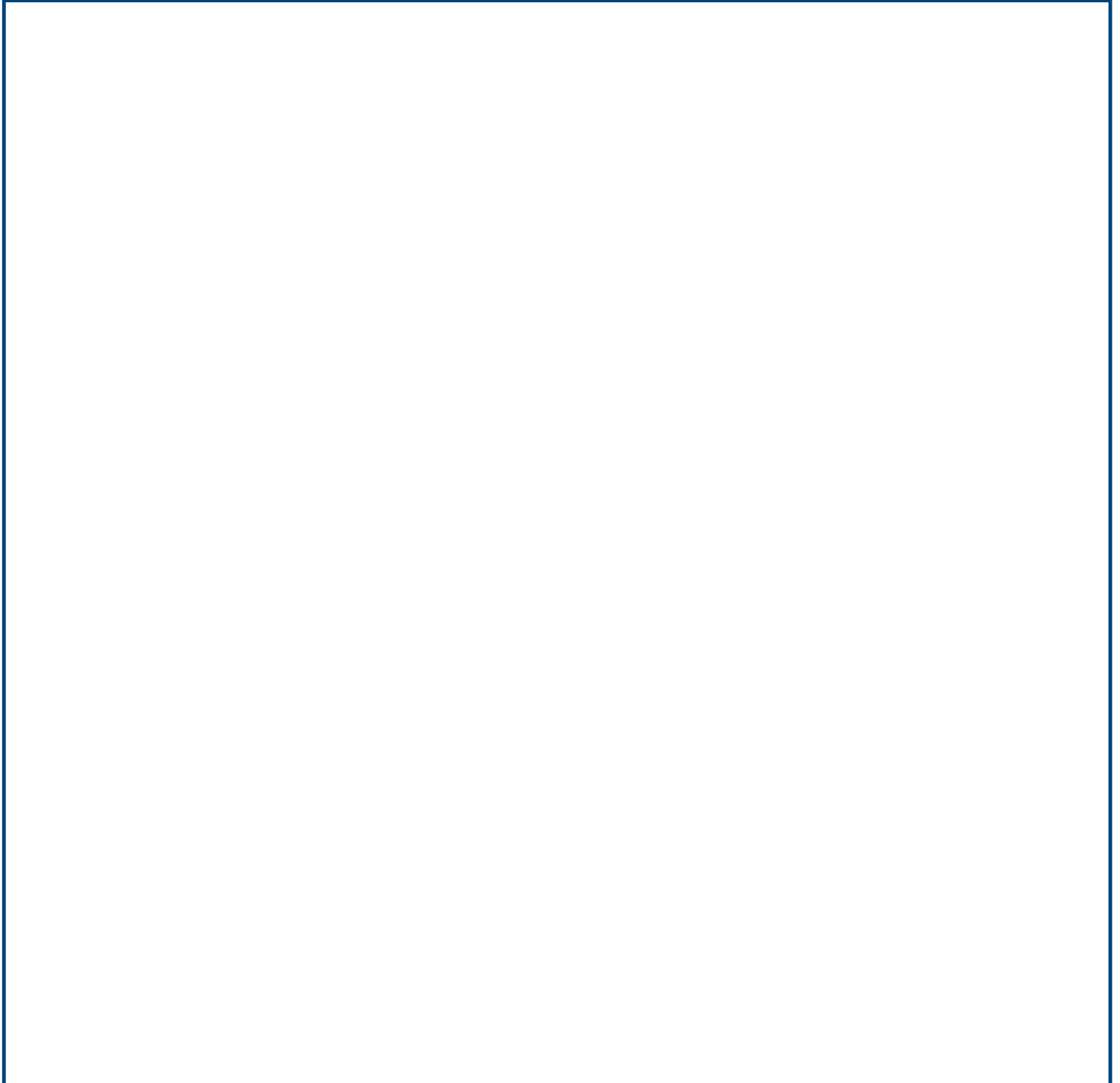


ÜZÖSÝÖPÖXÉÍ ÉÁ

ÜZÖSÝÖPÖXÉÍ ÉÁ

### WIDOK 3D



### PRODUCT DRAWING RELEASE

Last Modification (geometry): 28/08/2009 00:00  
Datasheet creation date: 01/07/2015 13:08

## PRODUCT DESCRIPTION:

Worm reduction unit with input shaft

**PRODUCT TYPE:** NRV

## CONFIGURATION & DIMENSIONAL VALUES

GR Size	050
RAP Ratio	5
ENTRNRV Input shaft (d*I)	14x30
ACU Output hole shaft (d)	25
VB Double input shaft	VS14x30
TFU Output flange dimension (d)	NO
DFU Output flange dimension (d)	-
PFU Output flange position	-
AL Output hole shaft (d)	NO
PAL Output shaft position gear unit 2	-
BR Torque arm	NO
PBR Torque arm position	-
CAP Cover	NO
A	80
B	30
BB	8
B1	5
D	25(24)
D1	14
F	M6
G1	92
G2	74
G3	64
H	60
I	50
K	70
KE	M8*10(8)
L	85
M	85
N	70
N1	43.5

## PRODUCT DRAWING RELEASE

Last Modification (geometry): 28/08/2009 00:00

Datasheet creation date: 01/07/2015 13:08

## PRODUCT DESCRIPTION:

Worm reduction unit with input shaft

**PRODUCT TYPE:** NRV

## CONFIGURATION & DIMENSIONAL VALUES

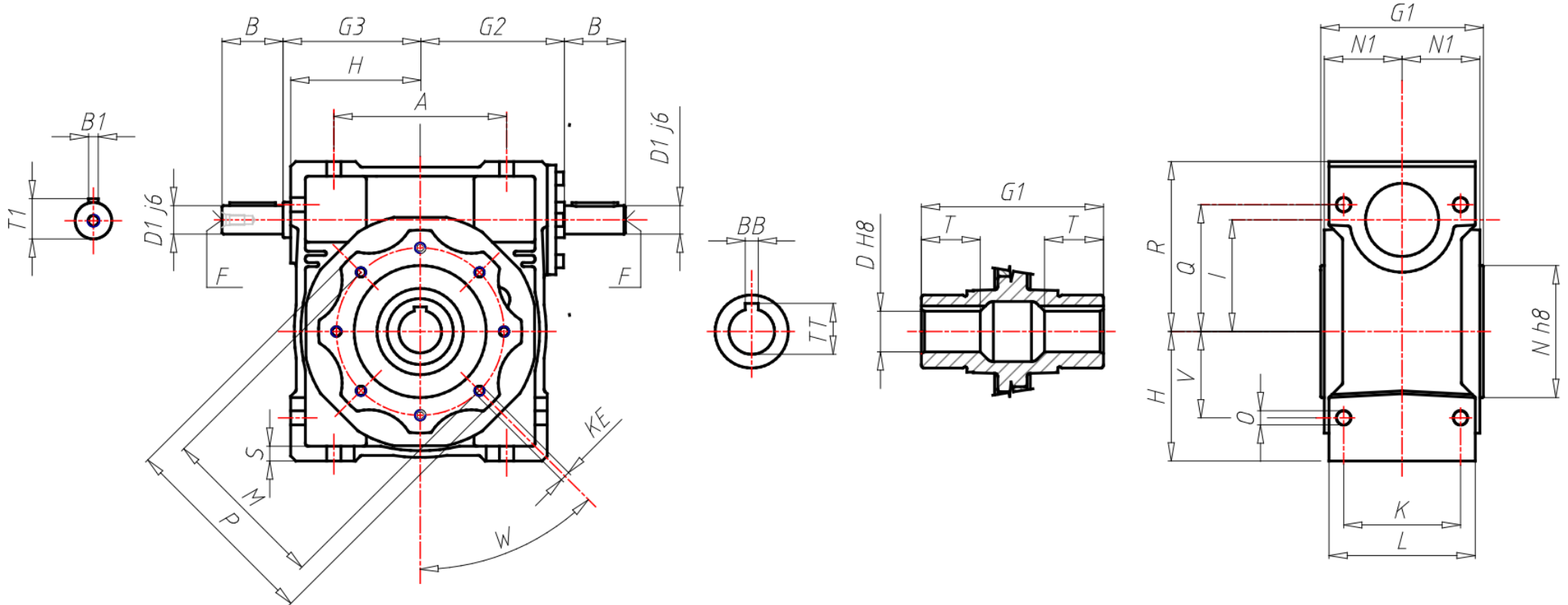
<b>O</b>	8.5
<b>P</b>	100
<b>Q</b>	64
<b>R</b>	84
<b>S</b>	7
<b>T</b>	30
<b>TT</b>	28.3(27.3)
<b>T1</b>	16
<b>V</b>	40
<b>W</b>	45°

## PRODUCT DRAWING RELEASE

Last Modification (geometry): 28/08/2009 00:00

Datasheet creation date: 01/07/2015 13:08

# 2D VIEW PRA

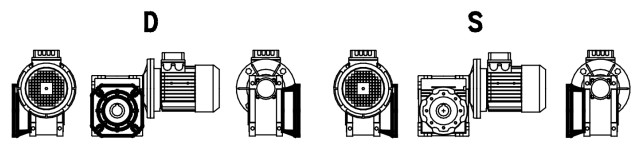
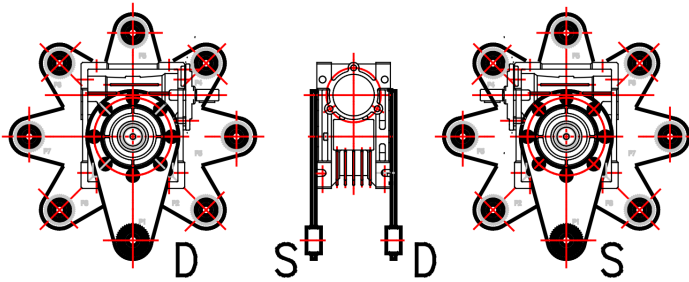


# PRODUCT DESCRIPTION:

Worm reduction unit with input shaft

## PRODUCT TYPE: NRV

## 2D VIEW ACCESSORIES



## PRODUCT DRAWING RELEASE

Last Modification (geometry): 28/08/2009 00:00

Datasheet creation date: 01/07/2015 13:08