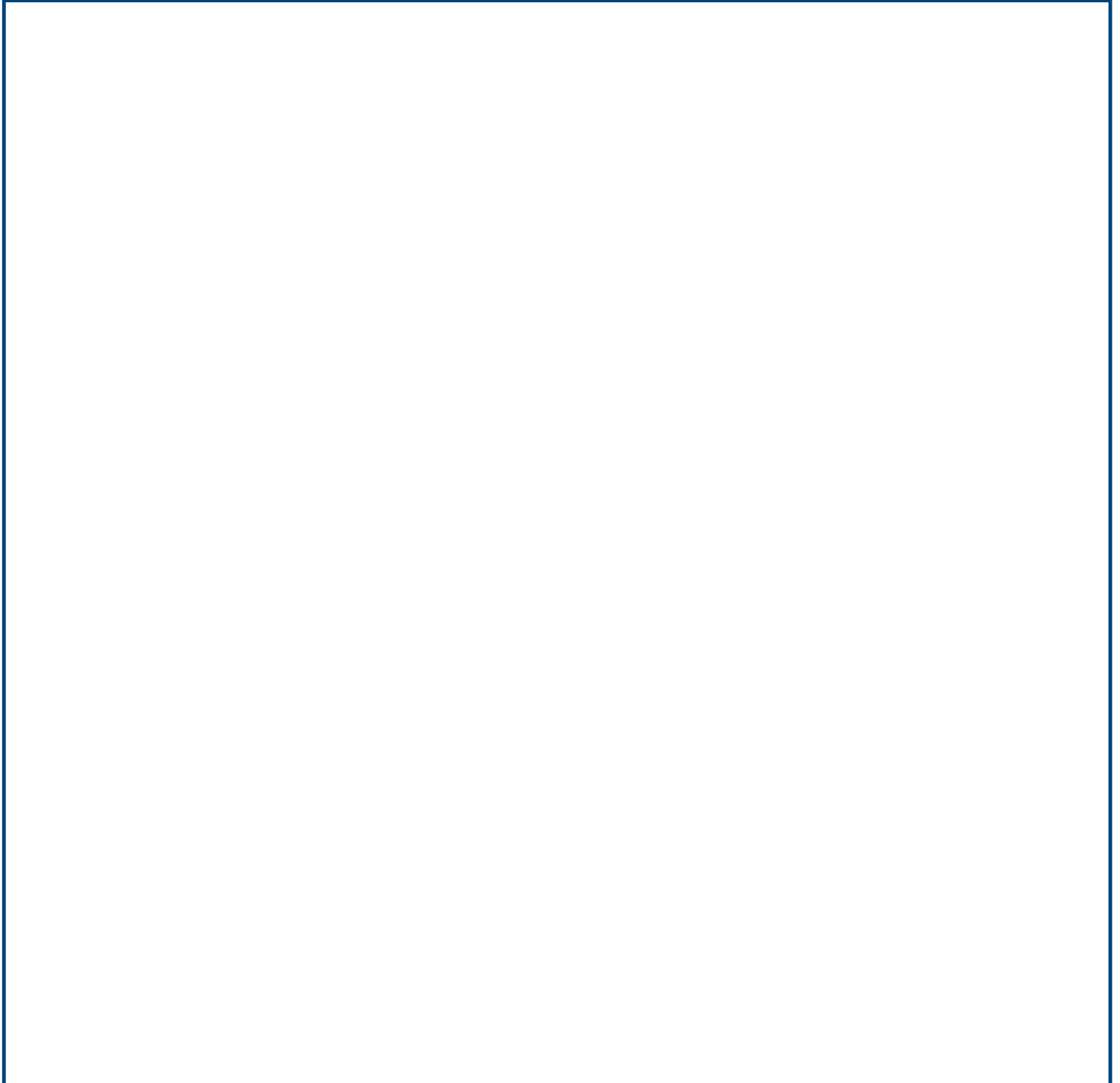


ÚZORSY ČERNRV-030

WIDOK 3D



PRODUCT DRAWING RELEASE

Last Modification (geometry): 28/08/2009 00:00

Datasheet creation date: 21/06/2015 10:35

PRODUCT DESCRIPTION:

Worm reduction unit with input shaft

PRODUCT TYPE: NRV

CONFIGURATION & DIMENSIONAL VALUES

| | |
|---------------------------------------|----------|
| GR Size | 030 |
| RAP Ratio | 5 |
| ENTRNRV Input shaft (d*l) | 09x20 |
| ACU Output hole shaft (d) | 14 |
| VB Double input shaft | NO |
| TFU Output flange dimension (d) | NO |
| DFU Output flange dimension (d) | - |
| PFU Output flange position | - |
| AL Output hole shaft (d) | NO |
| PAL Output shaft position gear unit 2 | - |
| BR Torque arm | NO |
| PBR Torque arm position | - |
| CAP Cover | NO |
| A | 54 |
| B | 20 |
| BB | 5 |
| B1 | 3 |
| D | 14 |
| D1 | 9 |
| F | - |
| G1 | 63 |
| G2 | 51 |
| G3 | 45 |
| H | 40 |
| I | 30 |
| K | 44 |
| KE | M6*11(4) |
| L | 56 |
| M | 65 |
| N | 55 |
| N1 | 29 |

PRODUCT DRAWING RELEASE

Last Modification (geometry): 28/08/2009 00:00

Datasheet creation date: 21/06/2015 10:35

PRODUCT DESCRIPTION:

Worm reduction unit with input shaft

PRODUCT TYPE: NRV

CONFIGURATION & DIMENSIONAL VALUES

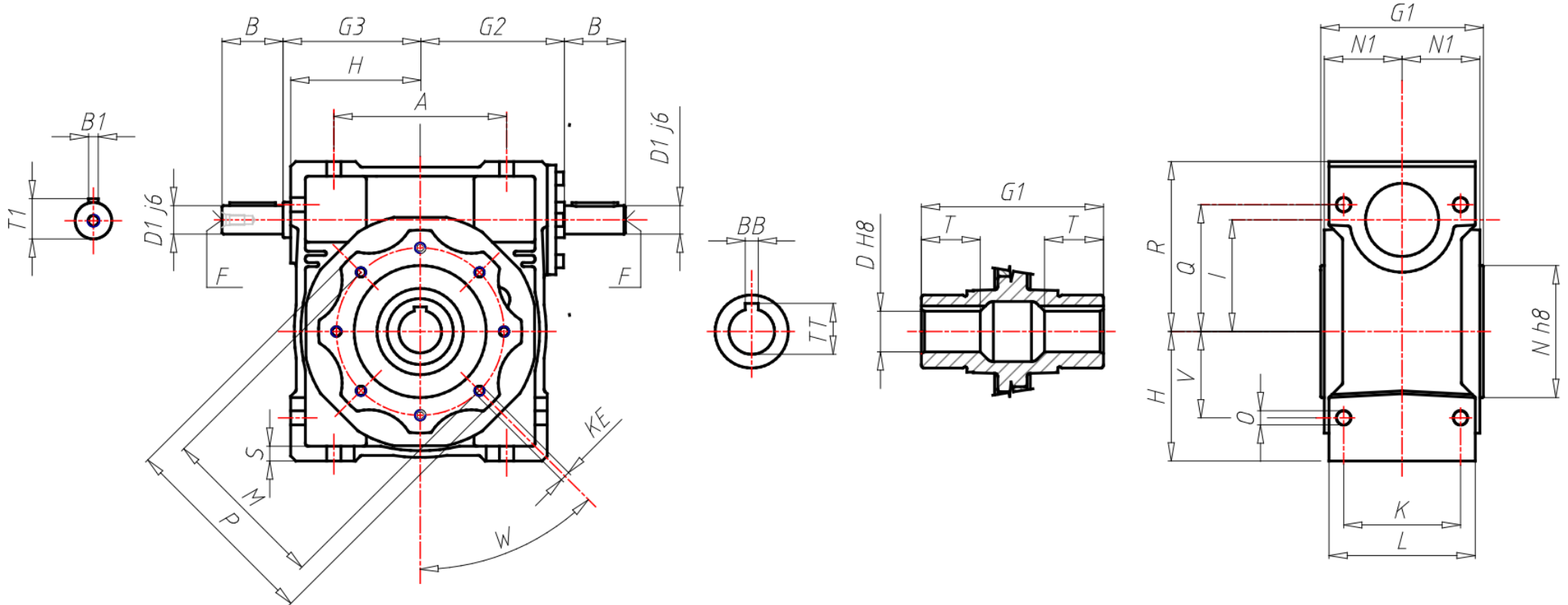
| | | |
|-----------|-------------|--|
| O | 6.5 | |
| P | 75 | |
| Q | 44 | |
| R | 57 | |
| S | 5.5 | |
| T | 21 | |
| TT | 16.3 | |
| T1 | 10.2 | |
| V | 27 | |
| W | 0° | |

PRODUCT DRAWING RELEASE

Last Modification (geometry): 28/08/2009 00:00

Datasheet creation date: 21/06/2015 10:35

2D VIEW PRA

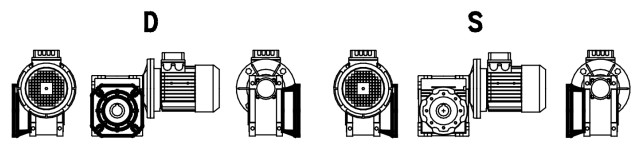
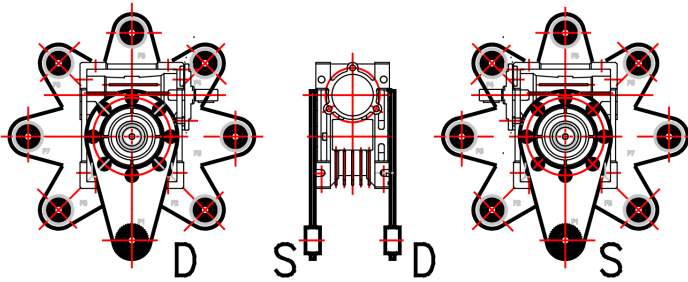


PRODUCT DESCRIPTION:

Worm reduction unit with input shaft

PRODUCT TYPE: NRV

2D VIEW ACCESSORIES



PRODUCT DRAWING RELEASE

Last Modification (geometry): 28/08/2009 00:00

Datasheet creation date: 21/06/2015 10:35