

ç | È | Ì | Á | È | Ì | D | H | F | È | I | Á | È | æ | K | ð | O | { | [| ç | æ | ã | È | ~

T UVUÜÒÖWSVUÜKNMRV-050/110

{ | ç | ! | ^ | à | ~ | \ | ç | ! | Á | [| à | , | 5 | ð | ^ | Á | Ç | Ì | € | Ó | Í | D

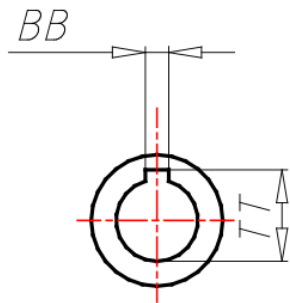
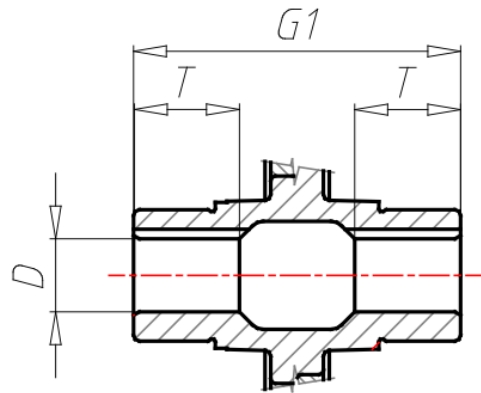
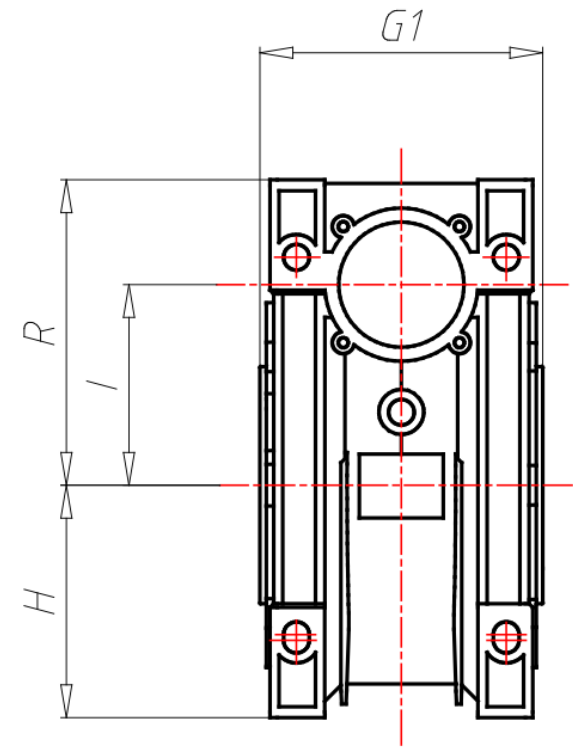
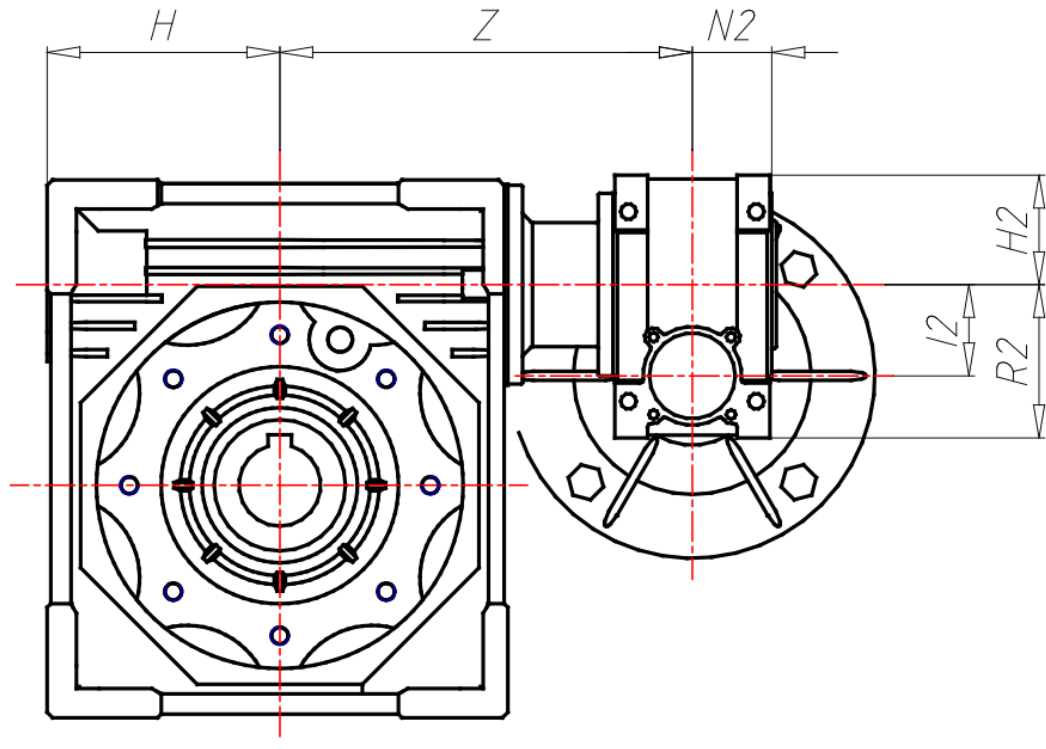
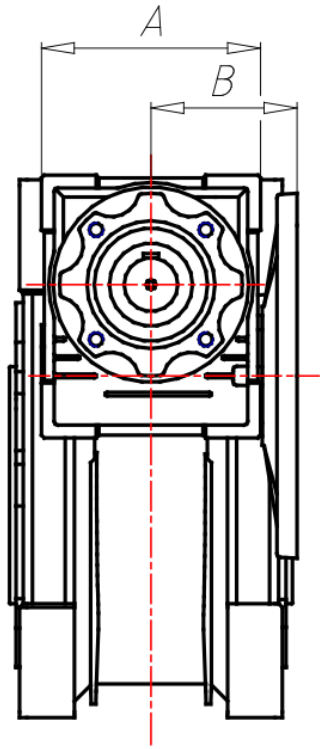
WIDOK 3D



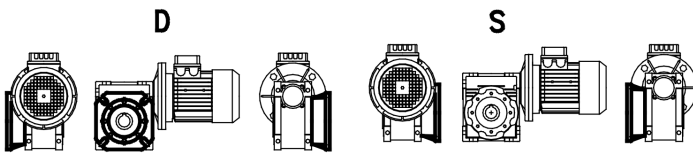
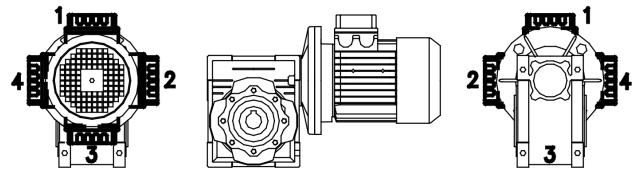
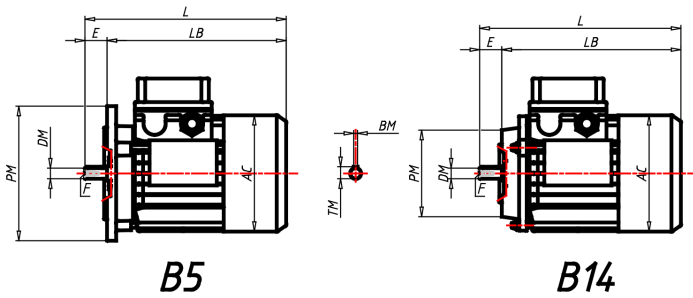
ÖÖË ÒÁÒÔÏ ÒÏÏ ÒÁÏ ÏÏÏ

GR Size	050-110
ES Execution	AS1
PAM Input PAM flange	80 B5
ACU1 Output hole shaft gear unit 1 (d)	25
VB1 Double input shaft gear unit 1	NO
ACU2 Output hole shaft gear unit 2 (d)	42
VB2 Double input shaft gear unit 2	NO
TFU Output flange gear unit 2	NO
DFU Output flange dimension gear unit 2 (d)	-
PFU Output flange position gear unit 2	-
AL2 Output hole shaft gear unit 2 (d)	NO
PAL Output shaft position gear unit 2	-
CAP Cover gear unit 2	NO
TIP Motor type	T-Three phase
GRA Motor size	080
RAF Cooling	IC411-Self-Ventilated
FC Motor execution	B5
TF Break type	-
AF Brake power supply	-
COP Terminal box cover	Aluminium
CVE Fan cover	Standard
MOR Terminal box cover position	1
A	120
AC	158
B	80
BB	12
BM	6
D	42
DM	19
E	40

F	M6x16
G1	155
H	127.5
H2	60
I	110
I2	50
L	272.5
LB	232.5
N2	43.5
PM	200
R	167.5
R2	84
T	50
TM	21.5
TT	45.3
Z	226



DESIGN



DESIGN

Ö [Á^*~ |æ&ñ ài[ç, Á [ç |^á\ ç |5, Á ç • ð Áã Áçñ, } ä äÖç ^Á & @ & } ^Á æ&ç { æÁ Á^!, ä æ&ç & @ & } ^ & @

@ç |Kç ^à•^•ç { È |Ð

@ç |Kç |, } ä æ |Ð

@ç |Kç |, } ä æ { È |Ð

@ç |Kç |, } ä æ † Ð