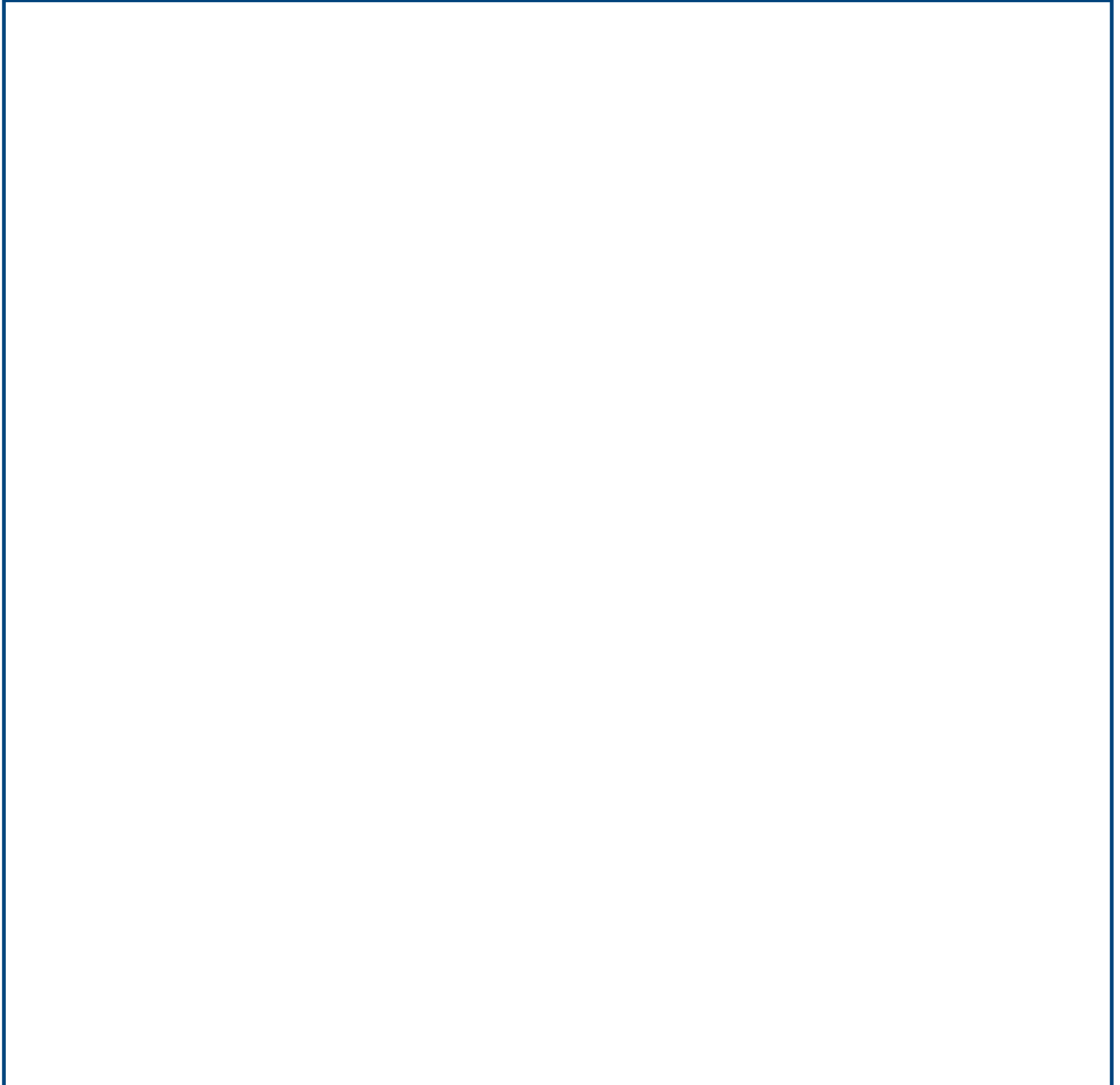


☺ | È | Ì | Á | È | Ì | Ó | Ì | D | Ì | H | È | F | È | | Á | È | æ | Ì | Å | { | O | { | [| q | ç | æ | ã | È | ~

T U V U Ü Ö Ö W S V U Ü K N M R V - 030 / 040

{ | [| q | ! | ^ | å | ~ | \ | q | ! | Á | [| å | , | 5 | ð | ^ | Á | Ú | Í | Ó | F | I | D

WIDOK 3D



PRODUCT DRAWING RELEASE

Last Modification (geometry): 27/06/2014 10:03
Datasheet creation date: 05/08/2015 13:23

PRODUCT DESCRIPTION:

Double worm geared motor fitted for motor coupling version PAM with sleeve

PRODUCT TYPE: NMRV-NMRV

CONFIGURATION & DIMENSIONAL VALUES

GR Size	030-040
RAP Ratio	100 (10x10)
ES Execution	AS1
PAM Input PAM flange	56 B14
ACU1 Output hole shaft gear unit 1 (d)	14
VB1 Double input shaft gear unit 1	NO
ACU2 Output hole shaft gear unit 2 (d)	18
VB2 Double input shaft gear unit 2	NO
TFU Output flange gear unit 2	NO
DFU Output flange dimension gear unit 2 (d)	-
PFU Output flange position gear unit 2	-
AL2 Output hole shaft gear unit 2 (d)	NO
PAL Output shaft position gear unit 2	-
CAP Cover gear unit 2	NO
TIP Motor type	T-Three phase
GRA Motor size	056
RAF Cooling	IC411-Self-Ventilated
FC Motor execution	B14
TF Break type	-
AF Brake power supply	-
COP Terminal box cover	Aluminium
CVE Fan cover	Default
MOR Terminal box cover position	1
A	80
AC	-
B	55
BB	6
BM	-
D	18
DM	-
E	-

PRODUCT DRAWING RELEASE

Last Modification (geometry): 27/06/2014 10:03

Datasheet creation date: 05/08/2015 13:23

PRODUCT DESCRIPTION:

Double worm geared motor fitted for motor coupling version PAM with sleeve

PRODUCT TYPE: NMRV-NMRV

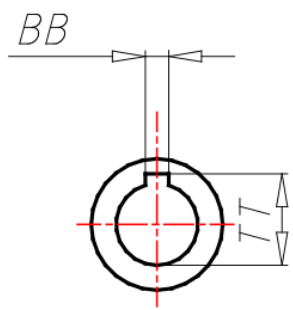
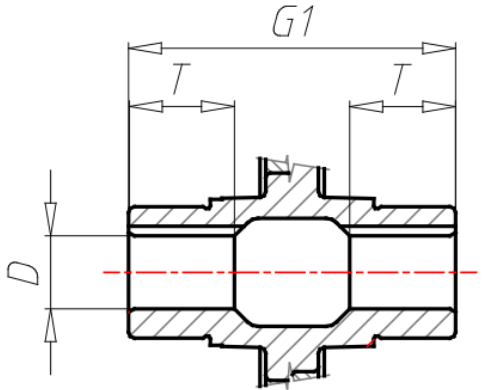
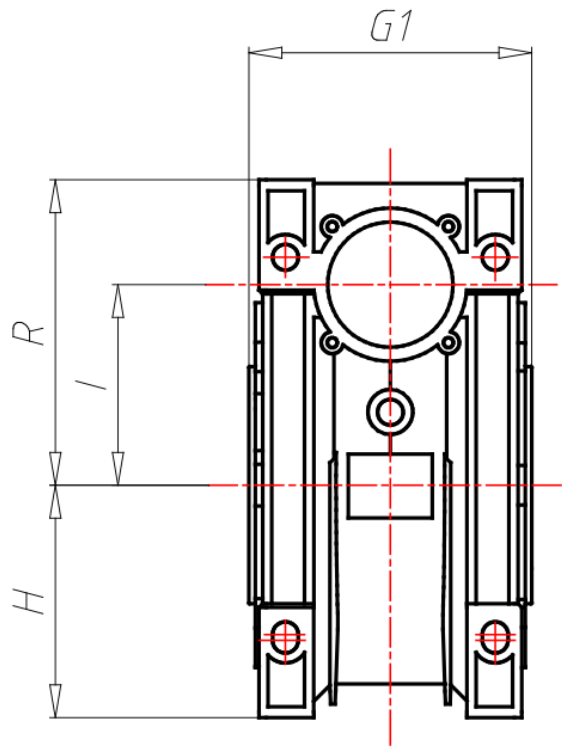
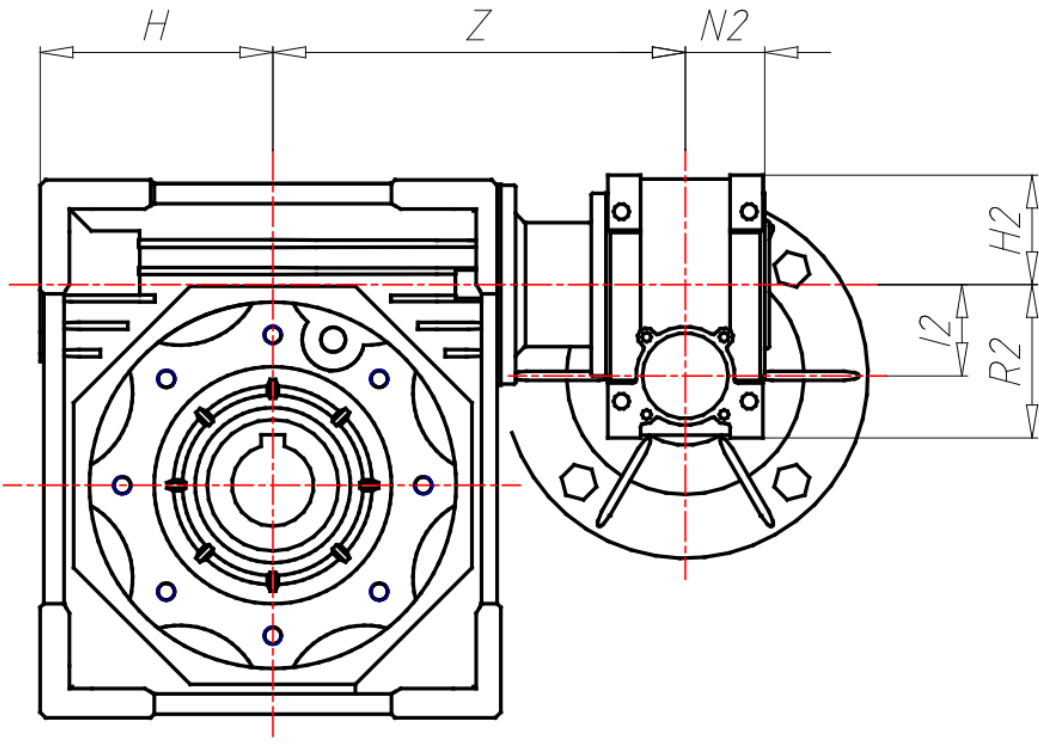
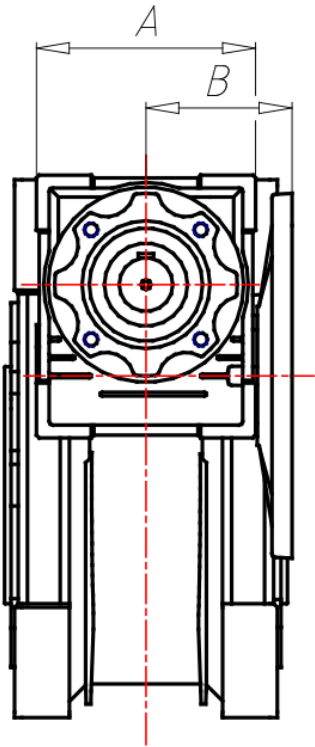
CONFIGURATION & DIMENSIONAL VALUES

F	-
G1	78
H	50
H2	40
I	40
I2	30
L	-
LB	-
N2	29
PM	80
R	71.5
R2	57
T	26
TM	-
TT	20.8
Z	122

PRODUCT DRAWING RELEASE

Last Modification (geometry): 27/06/2014 10:03
Datasheet creation date: 05/08/2015 13:23

2D VIEW PRA

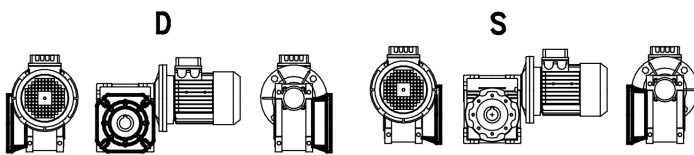
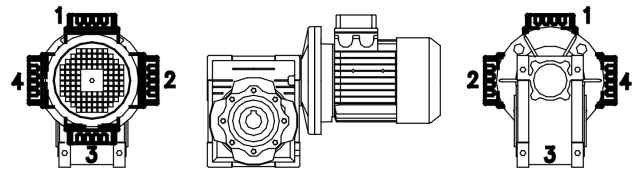
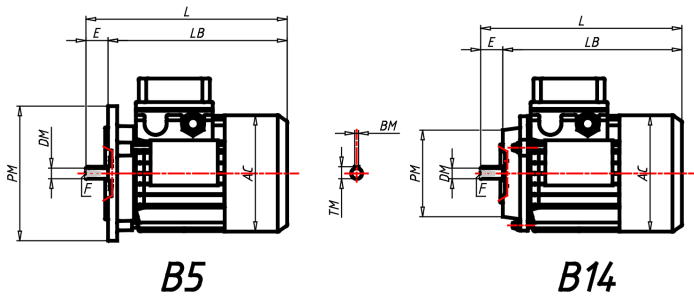


PRODUCT DESCRIPTION:

Double worm geared motor fitted for motor coupling version PAM with sleeve

PRODUCT TYPE: NMRV-NMRV

2D VIEW ACCESSORIES



PRODUCT DRAWING RELEASE

Last Modification (geometry): 27/06/2014 10:03
 Datasheet creation date: 05/08/2015 13:23